



5500 & 7700 Series Half Masks
Operating and Maintenance
Instruction Manual

Honeywell International Inc.

900 Douglas Pike
Smithfield, RI 02917
USA
Telephone 800 430-5490

Honeywell Safety Products

10550 Parkway Blvd
Anjou, Quebec
Canada H1J2K4
Telephone 888 212-7233

Honeywell Safety Products Australia Pty Ltd.

43 Garden Boulevard
Dingley Vic 3172
Australia
Telephone (Australia) 1300 139-166
Facsimile (Australia) 1300 362-491

Honeywell Safety Product da Brasil

Av. Marginal da Rodovia Dos Bandeirantes, 100
Distrito Industrial Jundiaí
SP 13213-008 Brasil
Telefone 11 3309 1000

Telephone (New Zealand) 0800 322-200
Facsimile (New Zealand) 0800 322-266

INTRODUCTION

The 5500 and 7700 Series are comprised of half masks that are one component of a complete respirator. Components of these respirators are sold separately. Only those components manufactured by Honeywell and listed on the approval label may be used. These User Instructions refer only to the use and maintenance of these half masks, and to the assembly and use of these half masks as part of an air-purifying respirator. These respirators should **only** be used and maintained by individuals who have completely read and understand the instructions contained within this Instruction Manual and any other Operating and Maintenance Instruction Manuals included with the other components of a complete respirator. For more information and a complete listing of approved components refer to the Honeywell web site www.honeywellsafety.com.

NIOSH CERTIFICATIONS

When components listed on the NIOSH Approval Label are used, these respirators are approved as part of air-purifying, powered air-purifying or supplied air respirators. Refer to the User Instructions of those components (e.g. Compact Air PAPR) and the NIOSH approval labels supplied with these products for a listing of all components that must be used to assemble a complete NIOSH approved respirator. When used as air-purifying respirators the 5500 and 7700 Series are for protection from hazardous gases, vapors and/or particulates where the concentration does not exceed 10 times the Permissible Exposure Limit (PEL); is below the contaminant's Immediately Dangerous to Life or Health (IDLH) threshold; and there is sufficient oxygen according to the OSHA or CSA requirements.

AUSTRALIAN CERTIFICATIONS

When components listed on the AS/NZS Approval Label are used, these respirators are approved under Australian and New Zealand Standard 1716.2003 Lic. 0563 for respiratory protection against hazardous gases, vapors and/or particulates; depending on the air-purifying cartridges and/or filters used and the contaminant concentration and/or toxicity; and if there is sufficient oxygen present in the contaminated atmosphere to support life.

TERMINOLOGY

Warnings, cautions and notes used in this manual have the following significance:

NOTE

Procedures and techniques that are considered important enough to emphasize.

CAUTION

Procedures and techniques which, if not carefully followed, will result in damage to the equipment.

WARNING

Procedures and techniques which, if not carefully followed, will expose the user to the risk of serious injury, illness or death.

WARNINGS

**Improper Use of Your Respirator Can Be Harmful or Deadly!
For Your Safety, Read and Follow These Directives.
If You Do Not Understand Them—Ask Your Supervisor!**

1. Failure to follow these instructions and warnings may result in exposure to the hazardous materials, exposing the user to the risk of serious injury, illness or death. These instructions DO NOT APPLY if your half mask is being used as part of a powered air-purifying or supplied air respirator. Refer to the User Instructions for those components.
2. Never use this respirator:
 - To perform or observe sand-blasting/abrasive-blasting;
 - To fight fires;
 - In oxygen deficient atmospheres (any atmosphere having less than 19.5% oxygen by volume at sea level);

- In atmospheres where the concentrations of toxic contaminants are unknown, or are Immediately Dangerous to Life or Health (IDLH). An IDLH atmosphere is any atmosphere which has a concentration of any toxic, corrosive or asphyxiant substance that poses an immediate threat to life, which would cause irreversible debilitating effects on health, or which would interfere with the ability to escape from a dangerous atmosphere.
- In atmospheres where the concentration of the contaminant exceeds:
 - i. *If part of an OSHA or CSA Respiratory Protection Program:*
 1. 10 times the contaminant's permissible exposure limit (PEL). PEL is defined as the maximum permissible 8-hour time weighted average (TWA) concentration established by applicable OSHA or other government regulations, or by NIOSH, ACGIH or CSA.
 2. Any lower Maximum Use Concentration for that contaminant established by OSHA or other government regulations, NIOSH, ACGIH or CSA publications, or shown in the contaminant's Material Safety Data Sheet.
 - ii. *If part of a Worksafe Australia Respiratory Protection Program:*
 1. In atmospheres where the concentration of the contaminant exceeds 10 times the contaminant's permissible exposure limit set by Worksafe Australia or other government regulations.
- With any filters or cartridges other than those certified for use with this facepiece by the appropriate certifying organization.
- To protect against contaminants not listed on the label for that filter or cartridge.
 - i. *If part of an OSHA or CSA Respiratory Protection Program* the label is the NIOSH Approval label included with NIOSH approved cartridges and included with these User Instructions.
 - ii. *If part of a Worksafe Australia Respiratory Protection Program* the ratings on filters and cartridges are marked on cartridges certified to Australian and New Zealand Standards as P, A, B, E and/or K.
- To protect against oil-based aerosols unless an 'R' or 'P' filter (defined by NIOSH) is used when the respirator is used as part of an OSHA or CSA Respiratory Protection Program.
- Without either an End-of-Service-Life Indicator (ESLI) on the cartridge for the gas and/or vapor present, or an established cartridge change schedule for all gases and vapors for which there is no ESLI.
- In poorly ventilated areas, or confined spaces such as tanks, small rooms, tunnels or vessels, unless the confined space is well ventilated and the concentration of toxic contaminants is known to be, and will continue to be, below the Maximum Use Concentration recommended for the respirator.

3. Immediately leave work area and remove respirator if:
 - Breathing becomes difficult;
 - You become dizzy or disoriented;
 - You smell, taste or otherwise sense contaminants; or
 - Your respirator is damaged.
4. This respirator will not protect exposed areas of face or body from gases, vapors or airborne particles that can irritate, burn or be absorbed through your skin. You must wear hand and/or body protection.
5. Do not alter or modify this device in any way. Any alterations or modifications, including painting, affixing labels or using unapproved replacement parts can reduce protection and expose the user to the risk of illness, injury or death.

HEALTH LIMITATIONS

You should be certified medically fit prior to using this respirator. In addition there are both physiological and psychological limitations which should be considered before using respirators. They include, but are not limited to:

- a) Emphysema
- b) Chronic obstructive pulmonary disease
- c) Bronchial asthma
- d) X-ray evidence of pneumoconiosis
- e) Evidence of reduced pulmonary function
- f) Coronary artery disease
- g) Severe or progressive hypertension
- h) Epilepsy (grand mal or petit mal)
- i) Pernicious anemia
- j) Diabetes (insipidus or mellitus)
- k) Breathing difficulties when wearing a supplied air respirator
- l) Claustrophobia or anxiety when wearing a supplied air respirator
- m) Abnormal EKG results from resting or stress tests
- n) Punctured or ruptured ear drum
- o) Medications

TRAINING PROGRAM

These brief written instructions cannot substitute for a formal Respirator Training Program. Such training must be taken prior to first use of this product and should include an opportunity for you to handle the respirator, learn how to inspect it, have it properly fitted, wear it in normal air for a long familiarity period, and finally, to wear it in a test atmosphere.

The Training Program should be based on the most recent OSHA Regulation 29 CFR Section 1910.134, CSA Standard Z94.4, or Australian and New Zealand Standard 1715. You should also be familiar with any other pertinent regulations promulgated by various Regulatory Authorities including ANSI Z88.2 in the USA.

FIT TESTING

Any respirator with a tight fitting facepiece may not be assigned until the user is given a qualitative or quantitative respirator fit test and the results of the test indicate that the facepiece of the respirator fits that person properly. The 5500 and 7700 Series are available in three sizes. The letters “S” “M” or “L” on the facepiece indicate sizes Small, Medium or Large. See instructions below for putting on the respirator. Refer to the most recent OSHA 29 CFR 1910.134 Appendix A (USA), CSA Z94 (Canada), or AS/NZS 1715 for specific Fit Test procedures (Australia and New Zealand).

KEY TO NIOSH APPROVAL LABEL CAUTIONS AND LIMITATIONS FOR AIR-PURIFYING RESPIRATORS

- A** Not for use in atmospheres containing less than 19.5 percent oxygen.
- B** Not for use in atmospheres immediately dangerous to life or health.
- C** Do not exceed maximum use concentrations established by regulatory standards.
- H** Follow established cartridge and canister change schedules or observe ESLI to ensure that cartridges and canisters are replaced before breakthrough occurs.
- J** Failure to properly use and maintain this product could result in injury or death.
- L** Follow the manufacturer’s User’s Instruction for changing cartridges, canisters and/or filters.
- M** All approved respirators shall be selected, fitted, used and maintained in accordance with OSHA and other applicable regulations.
- N** Never substitute, modify, add or omit parts. Use only exact replacement parts in the configuration as specified by the manufacturer.
- O** Refer to the User’s Instructions and/or maintenance manuals for information on use and maintenance of these respirators.
- P** NIOSH does not evaluate respirators for use as surgical masks.

- S1** Honeywell N-Series gas and vapor cartridges manufactured after August 2012 require the use of a spider (P/N N750038) when a pad style filter is used with the cartridge.
- S2** If the air-purifying cartridges have an ESLI, you must be able to see the indicator without moving the facepiece in any way that could break the facepiece-to-face seal.

INSPECTION

Each and every time you put on your respirator and prior to storage, you must inspect all components for wear or damage. If any component is missing or damaged, do not use this respirator.

- 1) Check the facepiece for any tears, holes or other damage.
- 2) Check the inhalation and exhalation valves to assure they are not missing or damaged.
- 3) Pull gently on the head straps to assure the elastic is not worn. Check the hook and eye for any damage.
- 4) Check the cartridge connectors to assure they are seated properly and are not cracked.

If any components are missing or damaged do not use this respirator.

ASSEMBLING THE RESPIRATOR

To use this half mask as an air-purifying respirator you need to attach a filter, cartridge or cartridge/filter combination. Follow the directions below for the filter or cartridge type you are using.

- 1) If you are using a pad style filter only, you will need P/N N750037 (includes two N750027 covers and two N750015 filter holders) in addition to the two filters.
 - a) Place each filter into the filter cover, paying attention to the instructions on the filter “this side towards face” or “this side away from face” (Figure 1).
 - b) Snap the filter cover and filter onto the filter holder (Figure 2). Proceed to Step 5.
- 2) If you are using a pad style filter with a gas or vapor cartridge manufactured after August 2012 you will need P/N N750036 (includes two N750027 filter covers and two N750038 spiders) in addition to the two filters. If your cartridge was manufactured prior to August 2012 you will need two filter covers (P/N N750027), and proceed to Step 2b.

▲ S1 – SPECIAL OR CRITICAL USER’S INSTRUCTIONS

Honeywell N-Series gas and vapor cartridges manufactured after August 2012 require the use of a spider (P/N N750038) when a pad style filter is used with the cartridge.

NOTE

Cartridges manufactured prior to August 2012 have a grid pattern; those manufactured after August 2012 have a circular pattern and require the use of a spider, (P/N N750038) (Figure 3).

- a) Place the spider (P/N N750038) on the cartridge so the eight indented notches nestle on the inner raised circle and the part number “N750038” is not backwards (Figure 4).
- b) Place each filter into the filter cover (P/N N750027), paying attention to the instructions on the filter “this side towards face” or “this side away from face” (Figure 1).
- c) Snap the filter assembly onto the cartridge (Figure 5). Proceed to Step 5.
- 3) If you are using low profile filters with a gas or vapor cartridge you will need two N750035 adapters in addition to the filters.
 - a) Snap the N750035 onto the cartridge.
 - b) Being careful not to cross thread, attach the filter to the adapter. Proceed to Step 5.
- 4) If you are using the Backpack Adapter (P/N BP1002) with any combination of filters or cartridges, attach them to the male threaded end of the adapter. Check that the cartridges or filters are effectively sealed against the gasket on the back plate connector.

▲ S2 – SPECIAL OR CRITICAL USER’S INSTRUCTIONS

If the air-purifying cartridges have an ESLI, you must be able to see the indicator without moving the facepiece in any way that could break the facepiece-to-face seal. Do not use cartridges with an ESLI if you are using the Backpack Adapter.



Figure 1

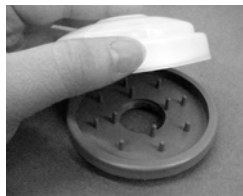


Figure 2

*Cartridges after
June 2012*



*Cartridges before
June 2012*



Figure 3

- 5) Attach your filter, filter assembly, cartridge, filter/cartridge or Backpack assembly onto the facepiece.
 - a) Make sure the filters or cartridges do not cross thread.
 - b) Turn filters / cartridges until they are seated snugly against the gasket and you notice resistance to further turning. Ensure the cartridges are flush with the facepiece seal and that the cartridge connectors and gaskets are also flush with the inside of the mask.
 - c) Do not overtighten, as this may crack the cartridge connectors (Figure 6).
- 6) Tug slightly on your filter / cartridge assembly to assure that it is firmly affixed.

WARNINGS

The NIOSH and AS/NZS approvals and all Honeywell warranties for this respirator are nullified if cartridges and/or filters from other manufacturers are used.

Filters, cartridges, and filter cartridge combinations must be the same on both sides of the respirator.

Only use filters, cartridges or filter cartridge combinations for protection from contaminants listed on that filter or cartridge NIOSH or AS/NZS Approval Label.

Do not use the Backpack Adapter with cartridges that have an ESLI as you will not be able to see the indicators while wearing the respirator, and will not know when to change the cartridges.

Failure to comply with these warnings will result in the risk of serious injury, illness or death.

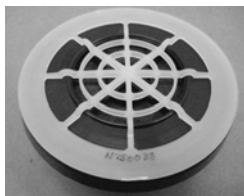


Figure 4



Figure 5

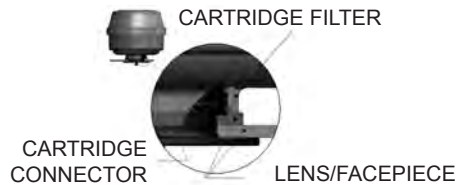


Figure 6

PUTTING ON THE RESPIRATOR

Follow INSPECTION directions 1 through 3, then tug once more on the cartridges or filters to assure they are securely attached.

- 1) Remove any eyewear, hard hat or other headgear prior to putting on your respirator.
- 2) Adjust the head straps of the respirator to their full outward position.
- 3) With one hand holding the respirator, place your chin inside the chin cup, and the top of the respirator over your nose (Figure 7). If using the Backpack Adapter, the breathing tubes will go over your head and rest on your shoulders.
- 4) With your other hand, position the plastic head straps so they are centered on your head (Figure 8).
- 5) Remove any slack in the upper straps by pulling the two end tabs straight back. Do not pull out and away from your face. **DO NOT TIGHTEN AT THIS POINT.**
- 6) Fasten the bottom elastic straps behind your neck, and under any hair that is below the hairline (Figure 9).
- 7) Remove any slack in the lower straps by pulling the two back end tabs forward (Figure 10). **DO NOT TIGHTEN AT THIS POINT.**
- 8) Tighten the two upper and then two lower head straps in small, equal increments to ensure the respirator is tightened evenly and it is snug, comfortable and centered on your face. You can use either the back or front tabs of the lower straps.
- 9) Pull the respirator away from your face and maneuver it to assure it's centered, comfortable and snug. Put on any eyewear and headgear removed earlier.



Figure 7



Figure 8



Figure 9

WARNING

Do not use your respirator if you cannot achieve a good facepiece-to-face seal due to:

1. Facial hair, including stubble,
2. Face coverings, jewelry or any other item that interferes with the sealing area, or
3. Missing teeth or dentures, facial deformities or deep scars that prevent a good seal.

NOTE

Honeywell respirators have a wide sealing area to assure a maximum seal to the face. Be careful not to overtighten the respirator. Overtightening could distort the facepiece and may cause leakage between the facepiece-to-face seal.



Figure 10



Figure 11



Figure 12

USER SEAL CHECKS

Each time you put on a respirator before entering a hazardous atmosphere, and periodically while wearing the respirator in the contaminated area, you must check the effectiveness of the facepiece-to-face seal by conducting a User Seal Check.

- 1) Positive Pressure User Seal Check
 - a) Place the palm of your hand over the exhalation valve and exhale normally (Figure 11).
 - b) If the facepiece bulges slightly and no air leaks between the face and the facepiece, an effective seal has been obtained.
- 2) Negative Pressure User Seal Check
 - a) Place the palms of both hands over the cartridges or filter covers and inhale normally. Hold your breath for 5 seconds (Figure 12).
 - b) If the facepiece collapses and no air leaks between the face and the facepiece, an effective seal has been obtained.
- 3) If you detect any leaks, reseal the facepiece and/or readjust the tension of the head straps. Note that sometimes the straps may need to be loosened.
- 4) Repeat the User Seal Check(s) until an effective seal has been obtained. If you cannot achieve a seal, do not use this respirator. See your Supervisor for either a replacement respirator or to be refitted to an appropriate size.

WARNING

If you cannot promptly achieve an effective seal while wearing the respirator in a contaminated area, you should immediately leave the contaminated area to prevent the risk of serious injury, illness or death.

NOTE

OSHA 29 CFR 1910.134 Appendix B requires either a Positive or a Negative User Seal Check following the Manufacturer's instructions. CSA recommends following the Manufacturer's instructions, and provides guidelines for a Positive and Negative User Seal Check in Z94.4 Annex A.

Honeywell provides instructions for both seal checks since many Industrial Hygienists prefer the use of both methods, but only one of either two methods needs to be conducted. If you are conducting both a Positive and a Negative User Seal Check, conduct the Positive Seal Check first.

You are now ready to enter the contaminated area for which this respirator was designed.

EMERGENCY DURING USE

Immediately leave the contaminated area if breathing becomes difficult; you become dizzy or disoriented; you smell, taste or otherwise sense contaminants; or your respirator becomes damaged.

SERVICE LIFE

When this respirator is used for protection from gases or vapors with defined occupational exposure limits, you must follow a change-out schedule to assure the cartridges are changed before the end of their useful life. If the cartridges have an End-of-Service-Life Indicator (ESLI), the cartridges must be changed per the instructions that come with the ESLI cartridge. Filters must be replaced when breathing becomes difficult.

REMOVING THE RESPIRATOR



Before removing your respirator you must go to an area with uncontaminated air.

Unhook the clip on the bottom strap and remove the respirator.

CLEANING YOUR FACEPIECE

During breaks and between a more thorough cleaning, a refresher wipe pad may be used to clean the portion of the mask that comes in contact with your face. Follow the steps below for a thorough cleaning.

- 1) Remove the cartridges or filters. Remove the Backpack Adapter if used.
- 2) Remove the headband assembly, all valves, exhalation seat and guard, and inhalation connectors from the facepiece.
- 3) Prepare a solution of cleaner sanitizer according to instructions.
- 4) Wash the facepiece and components thoroughly in the cleaner sanitizer solution. Use a soft brush on the facepiece and headgear assembly to loosen any caked on dirt.
- 5) Rinse the facepiece and components in clean, warm water and then let dry completely.
- 6) Reassemble your facepiece after following all steps outlined in INSPECTION.

WARNING

Never allow cartridges or filters to come in contact with water or cleaning and sanitizing solutions. Moisture can damage the cartridges or filters, and failure to comply with these warnings will result in the risk of serious injury, illness or death.

STORAGE

Store in a clean, dry area away from the chance of any contamination. Use the respirator storage bag provided with the facepiece or any other sealable container that will protect the facepiece. Optimum storage conditions are room temperature, between 50°F (10°C) and 100°F (38°C).

WARNING

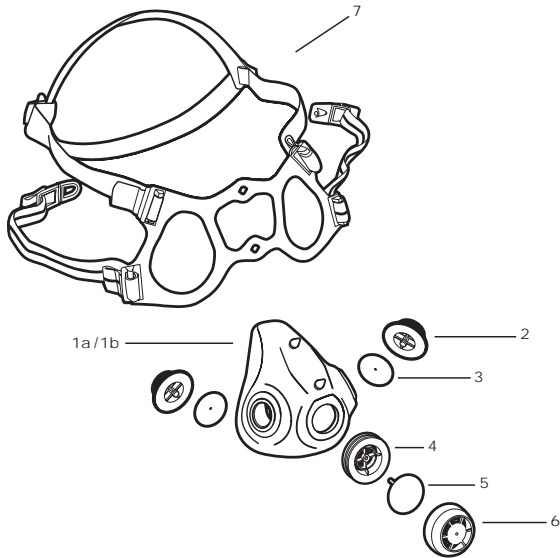
Never store the facepiece with cartridges or filters that have been exposed to contaminants. If cartridges and/or filters are to be reused, seal them in a separate bag or container. Do not expose to direct sunlight, chemical pollutants or dust.

Cartridges that have been exposed to contaminants with a low boiling point, and all NIOSH rated R filters that have been exposed to oil-based aerosols must be discarded at the end of a shift. When discarding contaminated cartridges, facepieces or components, follow local, state and/or national regulations pertaining to disposal of HazMat and/or other contaminated articles. Consult your supervisor and/or proper authorities.

CAUTION

Do not expose the respirator to excessive heat (above 140°F [60°C]), moisture or contaminative substances, or stack undue weight on top of the facepiece or components during storage because such conditions may distort the facepiece, resulting in the inability to achieve a proper fit the next time the facepiece is worn, or they may compromise the functionality of the component.

REPLACEMENT PARTS



Complete Assembly

For NIOSH Approved Respirators:

550030S, M, L Elastomeric Half Mask,
 sizes small, medium and large
7700030S, M, L Silicone Half Mask,
 sizes small, medium and large

For AS/NZS Approved Respirators:

550030AS, M, L Elastomeric Half Mask,
 sizes small, medium and large
7700030AS, M, L Silicone Half Mask,
 sizes small, medium and large

Replacement Parts for NIOSH & AS/NZS Approved Respirators

1a	550011S, M, L	Basic Facepiece for 5500, sizes small, medium and large
1b	770011S, M, L	Basic Facepiece for 7700, sizes small, medium and large
2	770016	Cartridge Connector
3	770017	Inhalation Valve
4	770019	Exhalation Valve Seat
5	770018	Exhalation Valve
6	770020	Exhalation Valve Guard
7	770092	Cradle Suspension System

ADDITIONAL COMPONENTS

Part No.	Description
-----------------	--------------------

Cartridge and Filter Holders	
-------------------------------------	--

N750035	Adapter for low profile filters to attach filters to gas or vapor cartridges
N750036	Assembly for filters. Includes (2) N750027 covers and (2) N750038 spiders to attach filter pads to gas and vapor cartridges
N750037	Assembly for filters. Includes (2) N750027 covers and (2) N750015 filter holders to attach filters to facepiece
N750037A	Assembly for filters. Includes (2) N750027 covers and (2) N750015 filter holders to attach filters to facepiece
BP1002	Backpack Adapter

WARRANTY

Honeywell Safety Products warrants this facepiece to the original owner to be free from defects in materials and workmanship for a period of one (1) year from the date of original shipment from Honeywell's factory. Honeywell's obligation under this warranty will be, at Honeywell's option, to repair or replace without charge the facepiece or any of its components found by Honeywell to have been defective during the warranty period, under the following terms:

1. The warranty claim is made (i) by the owner who purchased the 5500 or 7700 Series facepiece new from Honeywell or an authorized Honeywell Distributor, and (ii) not more than three (3) months after the end of the warranty period.
2. The 5500 or 7700 Series facepiece or component is found by Honeywell to have been defective in normal use and service during the warranty period of one (1) year from the date of purchase by the owner.
3. The 5500 or 7700 Series facepiece or component is returned freight prepaid to Honeywell, either to its factory or to a Honeywell authorized service center, and is thereafter returned to the owner freight collect.
4. This warranty does not apply to (i) any 5500 or 7700 Series facepiece or component found by Honeywell to have become defective as a result of any accident, alteration, misuse, abuse, or servicing with parts not approved by Honeywell; (ii) deterioration or aging of any component made of rubber or other elastomer since such components can be adversely affected by undue exposure to heat, sun, water, chemicals, ozone or other deteriorating elements; or (iii) parts that become defective through normal use. The decision as to what constitutes normal use shall be made solely by HONEYWELL SAFETY PRODUCTS.
5. To maintain this warranty, the purchaser must perform maintenance and inspections as set forth in this Instruction Manual which shall include prompt replacement or repair of defective parts, and replacement of parts per the maintenance schedule as set forth in this Instruction Manual.

THE OWNER ASSUMES ALL OTHER RISKS, IF ANY, SUCH AS THE RISK OF ANY DIRECT, INDIRECT OR CONSEQUENTIAL LOSS OR DAMAGE ARISING OUT OF THE USE OF, OR INABILITY TO USE, THE PRODUCT. SERVICING HONEYWELL RESPIRATORS WITH PARTS NOT APPROVED BY HONEYWELL WILL VOID THIS WARRANTY, AND THE NIOSH AND AS/NZS APPROVALS FOR THE RESPIRATOR UNIT. THIS WARRANTY IS MADE IN LIEU OF ALL OTHER WARRANTIES, EXPRESS OR IMPLIED AND MAY NOT BE VARIED OR EXTENDED EXCEPT IN WRITING BY AN AUTHORIZED OFFICIAL OF HONEYWELL SAFETY PRODUCTS.



Demi-masques Série 5500 et Série 7700
Manuel d'instructions
d'utilisation et d'entretien

Honeywell International Inc.

900 Plainfield Pike
Smithfield, RI 02917
États-Unis
Téléphone 800-430-5490

Honeywell Safety Products

10550, boul. Parkway
Anjou, Québec
Canada H1J2K4
Téléphone 888-212-7233

Honeywell Safety Products Australia Pty Ltd.

43 Garden Boulevard
Dingley Vic 3172
Australie
Téléphone (Australie) 1300 139-166
Télécopie (Australie) 1300 362-491

Honeywell Safety Product da Brasil

Av. Marginal da Rodovia Dos Bandeirantes, 100
Distrito Industrial Jundiaí
SP 13213-008 Brésil
Téléphone 11 3309 1000

Téléphone (New Zealand) 0800 322-200
Télécopie (New Zealand) 0800 322-266

INTRODUCTION

La Série 5500 et la Série 7700 sont composées de demi-masques faisant partie d'un système de respirateur complet. Les différents éléments de ces respirateurs sont vendus séparément. Seuls les éléments fabriqués par Honeywell et figurant sur l'étiquette d'approbation peuvent être utilisés. Les présentes instructions portent uniquement sur l'utilisation et l'entretien de ces demi-masques et sur l'assemblage et l'utilisation de ces demi-masques en tant que respirateur filtrant. Ces respirateurs doivent être utilisés et entretenus exclusivement par des personnes ayant lu et compris les instructions contenues dans le présent manuel et dans tout autre manuel d'instructions d'utilisation et d'entretien fourni avec les autres éléments constitutifs d'un respirateur complet. Pour plus de renseignements et une liste complète des éléments homologués, consulter le site Web d'Honeywell à www.honeywellsafety.com.

CERTIFICATIONS NIOSH

Lorsque des éléments figurant sur l'étiquette d'approbation NIOSH sont utilisés, ces respirateurs sont homologués dans le cadre de respirateurs filtrants, filtrants à ventilation assistée ou à adduction d'air. Voir la liste de tous les éléments devant être utilisés pour assembler un respirateur homologué NIOSH complet dans les manuels d'utilisation de ces éléments (AVFA Compact Air, par ex.) et sur les étiquettes d'approbation NIOSH fournies avec ces produits. Lorsqu'ils sont utilisés en tant que respirateurs filtrants, les demi-masques Série 5500 et Série 7700 sont destinés à la protection contre les gaz, vapeurs et/ou matières particulaires dangereux dont la concentration ne dépasse pas 10 fois la limite d'exposition admissible (PEL), qu'elle est inférieure au seuil de danger immédiat pour la vie ou la santé (DIVS) et si l'oxygène est suffisant conformément aux exigences OSHA ou CSA.

CERTIFICATIONS AUSTRALIENNES

Lorsque les éléments figurant sur l'étiquette d'approbation AS/NZS sont utilisés, ces respirateurs sont homologués selon la norme australienne et néo-zélandaise 1716.2003 Lic. 0563 pour la protection respiratoire contre les gaz, vapeurs et/ou matières particulaires dangereux, en fonction des cartouches et/ou filtres d'épuration d'air utilisés et de la concentration et/ou toxicité du contaminant et s'il y a suffisamment d'oxygène dans l'atmosphère contaminée pour le maintien en vie.

TERMINOLOGIE

Signification des avertissements, conseils de prudence et remarques figurant dans ce manuel :

REMARQUE

Procédures et techniques jugées suffisamment importantes pour être mises en évidence.

ATTENTION

Procédures et techniques qui, si elles ne sont pas respectées avec soin, peuvent endommager l'équipement.

AVERTISSEMENT

Procédures et techniques qui, si elles ne sont pas respectées avec soin, exposent l'utilisateur à un risque de lésion grave, de maladie ou de mort.

AVERTISSEMENTS

**L'utilisation incorrecte du respirateur peut s'avérer nocive, voire mortelle!
Pour plus de sécurité, veiller à lire et respecter ces directives.
Si elles ne sont pas comprises, demander au superviseur!**

1. Tout manquement à respecter ces instructions et avertissements peut entraîner une exposition à des matières dangereuses et exposer l'utilisateur à un risque de lésion grave, de maladie ou de mort. Ces instructions **NE S'APPLIQUENT PAS** à un demi-masque utilisé en tant qu'élément d'un respirateur filtrant à ventilation assistée ou à adduction d'air. Voir les instructions d'utilisation de ces éléments particuliers.
2. Ne jamais utiliser ce respirateur :
 - Pour effectuer ou observer du sablage/décapage par projection.
 - Pour lutter contre des incendies.
 - Dans des atmosphères pauvres en oxygène (toute atmosphère contenant moins de 19,5 % d'oxygène en volume au niveau de la mer).

- Dans des atmosphères dont les concentrations en contaminants toxiques sont inconnues ou présentent un danger immédiat pour la vie ou la santé (DIVS). Une atmosphère DIVS est toute atmosphère ayant une concentration en toute substance toxique, corrosive ou asphyxiante mettant directement la vie en danger, susceptible d'avoir des effets débilissants permanents sur la santé ou pouvant entraver l'aptitude à échapper à une atmosphère dangereuse.
- Dans les atmosphères où la concentration en contaminants dépasse :
 - i. Dans le cadre d'un programme de protection respiratoire OSHA ou CSA :*
 1. 10 fois la limite d'exposition admissible (PEL) du contaminant. Par définition, la PEL est la concentration admissible moyenne pondérée dans le temps (TWA) sur 8 heures établie par l'OSHA ou autre réglementation officielle ou par le NIOSH, l'ACGIH ou la CSA.
 2. Toute concentration utile maximale inférieure pour ce contaminant établie par l'OSHA ou autre réglementation officielle, publiée par le NIOSH, l'ACGIH ou la CSA ou figurant dans la fiche signalétique du contaminant.
 - ii. Dans le cadre d'un programme de protection respiratoire Worksafe Australia :*
 1. Dans les atmosphères où la concentration en contaminants dépasse 10 fois la limite d'exposition admissible du contaminant fixée par Worksafe Australia ou autre réglementation officielle.
- Avec tout filtre ou cartouche autre que ceux certifiés pour une utilisation avec ce masque par l'organisme de certification compétent.
- Pour protéger contre des contaminants non indiqués sur l'étiquette de ce filtre ou cette cartouche.
 - i. Dans le cadre d'un programme de protection respiratoire OSHA ou CSA, il s'agit de l'étiquette d'approbation NIOSH fournie avec les cartouches homologuées NIOSH et avec les présentes instructions d'utilisation.*
 - ii. Dans le cadre d'un programme de protection respiratoire Worksafe Australia, les classes d'utilisation des cartouches certifiées par les normes australiennes et néo-zélandaises sont marquées sur les cartouches (P, A, B, E et/ou K).*
- Pour protéger contre les aérosols à base d'huile, sauf si un filtre « R » ou « P » (tel que défini par NIOSH) est utilisé alors que le respirateur est utilisé dans le cadre d'un programme de protection respiratoire OSHA ou CSA.
- En l'absence soit d'un indicateur de fin de service (ESLI) sur la cartouche pour les gaz et/ou vapeurs présents, soit d'un calendrier établi de changement des cartouches pour tous les gaz et vapeurs pour lesquels il n'y a pas d'ESLI.
- Dans des endroits mal aérés ou dans des espaces clos tels que des réservoirs, des petites pièces, des tunnels ou des cuves, sauf si l'espace clos est bien aéré et qu'il est établi que la concentration en contaminants toxiques est et restera inférieure à la concentration utile maximale recommandée pour le respirateur.

3. Quitter immédiatement la zone de travail et enlever le respirateur :
 - si la respiration devient difficile,
 - en cas d'étourdissement ou de désorientation,
 - en présence d'odeur, de goût ou autre sensation de contaminant ou
 - si le respirateur est endommagé.
4. Ce respirateur ne protège pas les surfaces exposées du visage ou du corps contre les gaz, les vapeurs ou les particules en suspension dans l'air susceptibles d'irriter, de brûler ou d'être absorbées par la peau. Veiller à porter une protection des mains et/ou du corps.
5. Ne pas altérer ni modifier cet appareil. Toute altération ou modification, notamment la peinture, la pose d'autocollants ou l'emploi de pièces de rechange inadaptées, peut réduire la protection et exposer l'utilisateur à un risque de maladie, de lésion ou de mort.

LIMITES CONCERNANT LA SANTÉ

L'utilisateur doit être déclaré apte par un médecin à se servir du respirateur. En outre, il convient de tenir compte de certaines limites physiologiques et psychologiques avant d'utiliser un respirateur. Il s'agit notamment des affections suivantes :

- a) Emphysème
- b) Bronchopneumopathie chronique obstructive
- c) Asthme
- d) Radiographies indiquant une pneumoconiose
- e) Indication de fonction pulmonaire réduite
- f) Coronaropathie
- g) Hypertension sévère ou progressive
- h) Épilepsie (grand mal ou petit mal)
- i) Anémie pernicieuse
- j) Diabète (insipide ou sucré)
- k) Difficultés respiratoires lors du port d'un respirateur à adduction d'air
- l) Claustrophobie ou anxiété lors du port d'un respirateur à adduction d'air
- m) Résultats d'ECG anormaux aux épreuves d'effort ou au repos
- n) Rupture ou perforation de tympan
- o) Prise de médicaments

PROGRAMME DE FORMATION

Ces brèves instructions écrites ne peuvent pas remplacer un programme structuré de formation à l'utilisation du respirateur. Une telle formation devra être suivie préalablement à la première utilisation et devra inclure la possibilité de manipuler le respirateur, d'apprendre comment le contrôler, de le faire ajuster correctement, de le porter dans l'air ambiant pendant une période de familiarisation prolongée et, enfin, de le porter dans une atmosphère d'essai.

Le programme de formation doit être fondé sur la version courante de la réglementation OSHA 29 CFR Section 1910.134, de la norme CSA Z94.4 ou de la norme australienne et néo-zélandaise AS/NZS 1715. Veiller aussi à se familiariser avec toutes les réglementations pertinentes par les diverses autorités réglementaires, notamment ANSI Z88.2 aux États-Unis.

ESSAI D'AJUSTEMENT

Tout respirateur à masque à ajustement serré, avant d'être assigné à un utilisateur, doit faire l'objet d'un essai d'ajustement qualitatif ou quantitatif et les résultats de l'essai doivent indiquer que le masque du respirateur s'ajuste correctement sur la personne. Les demi-masques Série 5500 et Série 7700 sont proposés en trois tailles. Les lettres « S » « M » ou « L » sur le masque correspondent aux tailles petite, moyenne et grande. Voir les instructions de mise en place du respirateur ci-dessous. Consulter les procédures particulières d'essai d'ajustement dans la version courante d'OSHA 29 CFR 1910.134 Appendix A (États-Unis), CSA Z94 (Canada) et AS/NZS 1715 (Australie et Nouvelle-Zélande).

LÉGENDE DES MISES EN GARDE ET DES LIMITES DE L'ÉTIQUETTE D'APPROBATION NIOSH POUR LES RESPIRATEURS FILTRANTS

- A** Ne pas utiliser dans des atmosphères contenant moins de 19,5 % d'oxygène.
- B** Ne pas utiliser dans des atmosphères présentant un danger immédiat pour la vie ou la santé.
- C** Ne pas dépasser les concentrations utiles maximales établies par les normes réglementaires.
- H** Respecter les calendriers établis pour le changement des cartouches et boîtes filtrantes et observer l'indicateur de fin de service (ESLI) pour s'assurer que les cartouches et boîtes filtrantes sont changés avant qu'il se produise une défaillance.
- J** Une utilisation et un entretien incorrects de ce produit peuvent entraîner des lésions ou la mort.
- L** Respecter les instructions du fabricant pour le changement des cartouches, boîtes filtrantes et/ou filtres.
- M** Tous les respirateurs homologués doivent être sélectionnés, ajustés, utilisés et entretenus conformément aux normes OSHA et autres réglementations en vigueur.
- N** Ne jamais remplacer, modifier, ajouter ni omettre de pièces. Utiliser exclusivement des pièces de rechange correctes dans la configuration spécifiée par le fabricant.
- O** Voir les informations sur l'utilisation et l'entretien de ces respirateurs dans les instructions d'utilisation et/ou les manuels d'entretien.
- P** NIOSH n'évalue pas les respirateurs utilisés en tant que masques chirurgicaux.

- S1** Les cartouches pour gaz et vapeur Honeywell Série N fabriquées après août 2012 nécessitent l'emploi d'une grille araignée (réf. N750038) lorsqu'un filtre de type tampon est utilisé avec la cartouche.
- S2** Si les cartouches filtrantes comportent un indicateur de fin de service (ESLI), celui-ci doit être visible sans devoir déplacer le masque d'une façon pouvant rompre l'étanchéité entre le masque et le visage.

CONTRÔLE

Chaque fois que le respirateur doit être porté et avant de l'entreposer, contrôler l'état général et l'usure de tous les éléments. Si un quelconque élément manque ou est endommagé, ne pas utiliser le respirateur.

- 1) Vérifier que le masque ne présente aucune fissure ni autre dommage.
- 2) Vérifier que les soupapes d'inspiration et d'expiration sont en place et en bon état.
- 3) Tirer légèrement sur les sangles de tête pour vérifier que l'élastique n'est pas usé. Vérifier que le crochet et l'œillet ne sont pas endommagés.
- 4) Vérifier que les connecteurs de cartouche sont correctement en place et ne sont pas fissurés.

Si un quelconque élément manque ou est endommagé, ne pas utiliser le respirateur.

ASSEMBLER LE RESPIRATEUR

Pour utiliser ce demi-masque en tant que respirateur filtrant, il doit être équipé d'un filtre, d'une cartouche ou d'un combiné filtre-cartouche. Suivre les instructions ci-dessous correspondant au type de filtre ou cartouche utilisé.

- 1) Si seuls des filtres de type tampon sont utilisés, l'ensemble réf. N750037 (comprend deux couvercles N750027 et deux porte-filtres N750015) est nécessaire en plus des deux filtres.
 - a) Placer chaque filtre dans un couvercle de filtre, en respectant les indications d'orientation « This side towards face » (face du côté visage) ou « This side away from face » (face du côté opposé au visage) (Figure 1).
 - b) Encliqueter le couvercle de filtre et le filtre dans le porte-filtre (Figure 2). Continuer à l'étape 5.
- 2) Si un filtre de type tampon est utilisé avec une cartouche pour gaz ou vapeur fabriquée après août 2012, l'ensemble réf. N750036 (comprend deux couvercles de filtre N750027 et deux araignées N750038) est nécessaire en plus des deux filtres. Si la cartouche a été fabriquée avant août 2012, utiliser deux couvercles de filtre (réf. N750027) et continuer à l'étape 2b.

S1 – INSTRUCTIONS D'UTILISATION SPÉCIALES OU CRITIQUES

Les cartouches pour gaz ou vapeur Honeywell Série N fabriquées après août 2012 nécessitent l'emploi d'une araignée (réf. N750038) lorsqu'un filtre de type tampon est utilisé avec la cartouche.

REMARQUE

Les cartouches fabriquées avant août 2012 comportent un motif grillagé; celles fabriquées après août 2012 présentent un motif circulaire et nécessitent l'emploi d'une araignée (réf. N750038) (Figure 3).

- a) Placer l'araignée (réf. N750038) sur la cartouche de telle manière que les huit encoches s'engagent sur le cercle intérieur en relief et que le numéro de référence « N750038 » ne soit pas à l'envers (Figure 4).
 - b) Placer chaque filtre dans le couvercle de filtre (réf. N750027), en respectant les indications d'orientation « This side towards face » (face du côté visage) ou « This side away from face » (face du côté opposé au visage) (Figure 1).
 - c) Encliqueter le filtre sur la cartouche (Figure 5). Continuer à l'étape 5.
- 3) Si des filtres minces sont utilisés avec une cartouche pour gaz ou vapeur, deux adaptateurs N750035 sont nécessaires en plus des filtres.
- a) Encliqueter le N750035 sur la cartouche.
 - b) En prenant garde de ne pas fausser le filetage, attacher le filtre à l'adaptateur. Continuer à l'étape 5.
- 4) Si un adaptateur de port dorsal (réf. BP1002) avec toute combinaison de filtres ou cartouches, les attacher au côté fileté mâle de l'adaptateur. Vérifier que les cartouches ou filtres appuient de façon étanche contre le joint sur le connecteur de plaque arrière.

S2 – INSTRUCTIONS D'UTILISATION SPÉCIALES OU CRITIQUES

Si les cartouches filtrantes comportent un indicateur de fin de service (ESLI), celui-ci doit être visible sans devoir déplacer le masque d'une façon pouvant rompre l'étanchéité entre le masque et le visage. Ne pas utiliser de cartouche à ESLI si un adaptateur de port dorsal est utilisé.



Figure 1

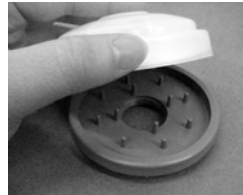


Figure 2

*Cartouches après
août 2012*



*Cartouches avant
août 2012*



Figure 3

- 5) Attacher le filtre, l'ensemble filtrant, la cartouche, le combiné filtre-cartouche ou le dispositif de port dorsal au masque.
 - a) Veiller à ne pas fausser le filetage des filtres ou cartouches.
 - b) Visser les filtres / cartouches jusqu'à ce qu'ils appuient fermement sur le joint et qu'ils rencontrent une nette résistance au vissage. Vérifier que les cartouches sont dans l'alignement du joint de masque et que les connecteurs et les joints de cartouche sont également alignés avec l'intérieur du masque.
 - c) Ne pas forcer le serrage car cela peut fissurer les connecteurs de cartouche (Figure 6).
- 6) Tirer légèrement sur les filtre / cartouches pour vérifier qu'ils sont solidement attachés.

AVERTISSEMENTS

Les homologations NIOSH et AS/NZS et toutes les garanties Honeywell pour ce respirateur sont annulées si des cartouches et/ou filtres d'autres fabricants sont utilisés.

Les filtres, cartouches et combinés filtre-cartouche doivent être les mêmes des deux côtés du respirateur.

Utiliser uniquement des filtres, cartouches ou combinés filtre-cartouche pour la protection contre les contaminants indiqués sur l'étiquette d'approbation NIOSH ou AS/NZS de ce filtre ou cette cartouche.

Ne pas utiliser l'adaptateur de port dorsal avec des cartouches à indicateur de fin de service (ESLI) car il ne serait pas possible de voir les indicateurs et de savoir quand changer les cartouches durant le port du respirateur.

Le non-respect de ces avertissements présente un risque de lésion grave, de maladie ou de mort.

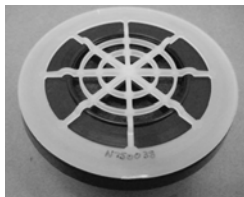


Figure 4



Figure 5



Figure 6

MISE EN PLACE DU RESPIRATEUR

Suivre les instructions 1 à 3 de la section CONTRÔLE, puis tirer une fois de plus sur les cartouches ou filtres pour vérifier qu'ils sont solidement fixés.

- 1) Enlever les lunettes, le casque ou tout autre couvre-tête avant de mettre en place le respirateur.
- 2) Allonger les sangles de tête du respirateur jusqu'à leur maximum.
- 3) En tenant le respirateur d'une main, placer le menton dans la mentonnière, et le haut du respirateur sur le nez (Figure 7). Si un adaptateur de port dorsal est utilisé, les tubes respiratoires sont placés par-dessus la tête et reposent sur les épaules.
- 4) Avec la main, placer les sangles de tête en plastique de manière à les centrer sur la tête. (Figure 8).
- 5) Tendre les sangles supérieures pour supprimer tout mou en tirant les deux pattes d'extrémité vers l'arrière. Ne pas tirer en les écartant et en les éloignant du visage. NE PAS SERRER À CETTE ÉTAPE.
- 6) Fixer les sangles inférieures en plastique derrière le cou et sous les cheveux sous la ligne de contour de la chevelure (Figure 9).
- 7) Tendre les sangles inférieures pour supprimer tout mou en tirant les deux pattes d'extrémité vers l'avant (Figure 10). NE PAS SERRER À CETTE ÉTAPE.
- 8) Serrer les deux sangles supérieures, puis les deux sangles inférieures pour assurer un serrage ferme, uniforme et confortable du respirateur et qu'il soit centré sur le visage. Il est possible d'utiliser les pattes arrière ou les pattes avant des sangles inférieures.
- 9) Écarter le respirateur du visage et le déplacer pour s'assurer qu'il est centré et que son serrage est ferme et confortable. Remettre toutes lunettes et tout couvre-tête enlevés précédemment.

AVERTISSEMENT

Ne pas utiliser le respirateur s'il n'est pas possible d'obtenir une bonne étanchéité masque-visage pour l'une des raisons suivantes :

1. Pilosité faciale, y compris barbe de quelques jours
2. Couvre-tête, accessoires couvrant le visage, bijoux ou tout autre article entravant l'étanchéité du joint, ou
3. Dents ou prothèses dentaires manquantes, malformations faciales ou cicatrices profondes ne permettant pas une bonne étanchéité.



Figure 7



Figure 8



Figure 9

REMARQUE

Les respirateurs Honeywell ont une grande zone d'étanchéité pour assurer une étanchéité maximale sur le visage. Prendre garde à ne pas trop serrer le respirateur. Un serrage excessif peut déformer le joint et provoquer des fuites entre le masque et le visage.



Figure 10



Figure 11



Figure 12

CONTRÔLES D'ÉTANCHÉITÉ UTILISATEUR

Avant chaque accès à une atmosphère dangereuse et régulièrement durant le port du respirateur dans la zone contaminée, l'efficacité du joint masque-visage doit être vérifiée par un contrôle d'étanchéité utilisateur.

- 1) Contrôle d'étanchéité utilisateur par pression positive
 - a) Placer la paume de la main sur la soupape d'expiration et expirer normalement (Figure 11).
 - b) Si le masque est légèrement bombé et qu'il n'y a pas de fuite d'air entre le visage et le masque, c'est que l'étanchéité est bonne.
- 2) Contrôle d'étanchéité utilisateur par pression négative
 - a) Placer les paumes des deux mains sur les cartouches ou les couvercles de filtre et inspirer normalement. Retenir sa respiration pendant 5 secondes (Figure 12).
 - b) Si le masque s'affaisse légèrement et qu'il n'y a pas de fuite d'air entre le visage et le masque, c'est que l'étanchéité est bonne.
- 3) Si une quelconque fuite est détectée, rajuster la position du masque et/ou la tension des sangles de tête. Noter qu'il est parfois nécessaire de desserrer les sangles.
- 4) Répéter le(s) contrôle(s) d'étanchéité utilisateur jusqu'à obtenir une bonne étanchéité. S'il n'est pas possible de réaliser l'étanchéité, ne pas utiliser le respirateur. S'adresser au responsable pour obtenir un respirateur de rechange ou remesurer la taille de respirateur requise.

AVERTISSEMENT

S'il n'est pas possible de réaliser rapidement une bonne étanchéité alors que le respirateur est porté dans une zone contaminée, quitter immédiatement la zone pour écarter le risque de lésion grave, de maladie ou de mort.

REMARQUE

OSHA 29 CFR 1910.134 Appendix B exige un contrôle d'étanchéité utilisateur par pression positive ou négative conformément aux instructions du fabricant. La CSA conseille de suivre les instructions du fabricant et fournit des directives de contrôle d'étanchéité utilisateur par pression positive et négative dans Z94.4 Annexe A.

Honeywell fournit des instructions pour les deux contrôles d'étanchéité car de nombreux hygiénistes industriels préfèrent utiliser les deux méthodes, mais l'application de l'une ou l'autre procédure seulement suffit. Si les deux contrôles d'étanchéité, par pression positive et négative, sont prévus, effectuer d'abord le contrôle par pression positive.

L'utilisateur est maintenant prêt à pénétrer la zone contaminée pour lequel le respirateur a été conçu.

URGENCE DURANT L'UTILISATION

Quitter immédiatement la zone contaminée si la respiration devient difficile, en cas d'étourdissement ou de désorientation, en présence d'odeur, de goût ou autre sensation de contaminant ou si le respirateur est endommagé.

DURÉE DE SERVICE

Si ce respirateur est utilisé pour la protection contre des gaz ou vapeurs à limite d'exposition professionnelle définie, veiller à suivre un calendrier de remplacement pour s'assurer que les cartouches sont changées avant la fin de leur durée de service. Si les cartouches comportent un indicateur de fin de service (ESLI), les cartouches doivent être changées conformément aux instructions fournies avec la cartouche à ESLI. Les filtres doivent être changés lorsque la respiration devient difficile.

ENLEVER LE RESPIRATEUR

AVERTISSEMENT

Avant d'enlever le respirateur, veiller à être dans une atmosphère non contaminée.

Décrocher le clip au bas de la sangle et enlever le respirateur.

NETTOYER LE MASQUE

Durant les pauses et entre les nettoyages plus complets, utiliser éventuellement une lingette rafraîchissante pour essuyer la partie du masque qui vient au contact du visage. Suivre les étapes ci-dessous pour effectuer un nettoyage complet.

- 1) Enlever les cartouches ou les filtres. Le cas échéant, détacher l'adaptateur de port dorsal.
- 2) Enlever le bandeau de tête, les sièges, soupapes et protège-soupape d'expiration, ainsi que les connecteurs d'inspiration du masque.
- 3) Préparer une solution nettoyante désinfectante conformément aux instructions.
- 4) Laver le masque et les pièces avec soin dans la solution nettoyante désinfectante. Utiliser une brosse souple sur le masque et le harnais de tête pour détacher tout dépôt de saleté.
- 5) Rincer le masque et les pièces à l'eau claire tiède et les laisser sécher complètement.
- 6) Remonter le masque après avoir suivi toutes les étapes de la section CONTRÔLE.

AVERTISSEMENT

Ne jamais laisser les cartouches ou les filtres venir au contact de l'eau ou des solutions nettoyantes et désinfectantes. L'humidité peut endommager les cartouches ou les filtres et le non-respect de ces avertissements présente un risque de lésion grave, de maladie ou de mort.

ENTREPOSAGE

Entreposer dans un endroit propre et sec à l'abri de tout risque de contamination. Utiliser le sachet d'entreposage de respirateur fourni avec le masque ou tout autre contenant hermétique pour protéger le masque. Les conditions d'entreposage optimales sont une température ambiante comprise entre 10 °C (50 °F) et 38 °C (100 °F).

AVERTISSEMENT

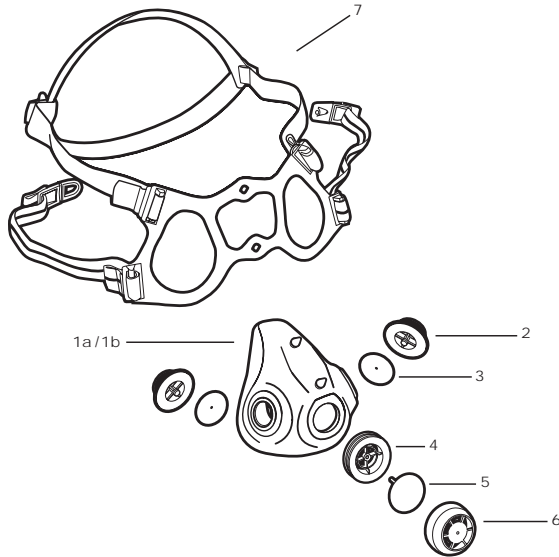
Ne jamais entreposer le masque avec des cartouches ou des filtres qui ont été exposés à des contaminants. Si des cartouches et/ou des filtres doivent être réutilisés, les placer dans un sachet ou récipient hermétique séparé. Ne pas exposer au soleil, à des substances chimiques polluantes ou à la poussière.

Les cartouches qui ont été exposées à des contaminants à bas point d'ébullition et tous les filtres de classe NIOSH R qui ont été exposés à des aérosols à base d'huile doivent être mis au rebut à la fin du quart de travail. Lors de l'élimination de cartouches, masques ou autre éléments contaminés, respecter les réglementations locales, provinciales et nationales en vigueur concernant l'élimination de matières dangereuses et/ou d'articles contaminés. Consulter son supérieur hiérarchique et/ou les autorités compétentes.

ATTENTION

Ne pas exposer le respirateur à une chaleur excessive (supérieure à 60 °C [140 °F]), à l'humidité ou à des substances contaminantes ni empiler un poids excessif sur le masque ou ses éléments durant l'entreposage car cela peut déformer le masque, empêchant son bon ajustement sur le visage, ou compromettre la fonctionnalité de l'élément.

PIÈCES DE RECHANGE



Ensemble complet

Pour respirateurs homologués NIOSH :

550030S, M, L	Demi-masque, élastomère, tailles petite, moyenne et grande
7700030S, M, L	Demi-masque, silicone, tailles petite, moyenne et grande

Pour respirateurs homologués AS/NZS :

550030AS, M, L	Demi-masque, élastomère, tailles petite, moyenne et grande
7700030AS, M, L	Demi-masque, silicone, taille petite, moyenne et grande

Pièces de rechange pour respirateurs homologués NIOSH et AS/NZS

1a	550011S, M, L	Masque de base pour 5500, taille petite, moyenne et large
1b	770011S, M, L	Masque de base pour 7700, taille petite, moyenne et large
2	770016	Connecteur de cartouche
3	770017	Soupape d'inspiration
4	770019	Siège de soupape d'expiration
5	770018	Soupape d'expiration
6	770020	Protège-soupape d'expiration
7	770092	Système de suspension intégrale

PIÈCES SUPPLÉMENTAIRES

Réf. Description

Porte-filtres et cartouches

N750035	Adaptateur pour la fixation de filtres minces sur des cartouches pour gaz ou vapeur
N750036	Ensemble pour filtres. Comprend deux (2) couvercles N750027 et deux (2) araignées N750038 pour la pose de tampons filtres sur des cartouches pour gaz et vapeur
N750037	Ensemble pour filtres. Comprend deux (2) couvercles N750027 et deux (2) porte-filtres N750015 pour attacher les filtres au masque
N750037A	Ensemble pour filtres. Comprend deux (2) couvercles N750027 et deux (2) porte-filtres N750015 pour attacher les filtres au masque
BP1002	Adaptateur de port dorsal

GARANTIE

Honeywell Safety Products garantit ce masque au propriétaire d'origine contre les défauts de matériau et de fabrication pendant une période d'un (1) an à compter de la date d'expédition initiale de l'usine Honeywell. L'obligation d'Honeywell en vertu de la présente garantie sera, à la discrétion d'Honeywell, de réparer ou de remplacer sans frais le masque ou un quelconque de ses éléments dont Honeywell aura déterminé qu'il est défectueux pendant la période de garantie, selon les modalités ci-dessous :

1. Le recours à la garantie est effectué (i) par le propriétaire qui a acheté le masque Série 5500 ou Série 7700 neuf auprès d'Honeywell ou d'un distributeur Honeywell agréé et (ii) pas plus de trois (3) mois après la fin de la période de garantie.
2. Le masque Série 5500 ou Série 7700 ou l'élément a été jugé défectueux par Honeywell dans des conditions normales d'utilisation et d'entretien pendant la période de garantie d'un (1) an à compter de la date d'achat par le propriétaire.
3. Le masque Série 5500 ou Série 7700 ou l'élément est renvoyé à Honeywell en port payé, soit à son usine, soit à un centre de réparation agréé Honeywell, et est par la suite renvoyé au propriétaire en port dû.
4. La présente garantie ne s'applique pas (i) à un quelconque masque Série 5500 ou Série 7700 ou à un élément qu'Honeywell aura jugé défectueux suite à un accident, une modification, un emploi abusif ou détourné ou un entretien avec des pièces non approuvées par Honeywell; (ii) à la détérioration ou au vieillissement d'un quelconque élément fabriqué en caoutchouc ou autre élastomère, étant donné que ces éléments peuvent être détériorés par une exposition excessive à la chaleur, au soleil, à l'eau, aux produits chimiques, à l'ozone ou à d'autres éléments délétères; ou (iii) aux pièces devenues défectueuses suite à un emploi normal. La détermination de ce qui constitue un emploi normal relève entièrement de HONEYWELL SAFETY PRODUCTS.
5. Pour bénéficier de la présente garantie, l'acheteur doit effectuer l'entretien et les inspections indiqués dans le présent manuel d'instruction, qui doivent inclure le remplacement et la réparation rapides des pièces défectueuses et le remplacement des pièces en conformité avec le programme d'entretien indiqué dans le présent manuel d'instruction.

LE PROPRIÉTAIRE ASSUME TOUS LES AUTRES RISQUES ÉVENTUELS, NOTAMMENT LE RISQUE DE PERTES OU DOMMAGES DIRECTS, INDIRECTS OU CONSÉCUTIFS RÉSULTANT DE L'UTILISATION OU DE L'INCAPACITÉ D'UTILISATION DU PRODUIT. LA RÉPARATION DES RESPIRATEURS HONEYWELL AVEC DES PIÈCES NON HOMOLOGUÉES PAR HONEYWELL A POUR EFFET D'ANNULER LA PRÉSENTE GARANTIE ET LES HOMOLOGATIONS NIOSH ET AS/NZS DE L'APPAREIL RESPIRATOIRE. LA PRÉSENTE GARANTIE REMPLACE TOUTE AUTRE GARANTIE EXPLICITE OU IMPLICITE ET NE PEUT ÊTRE MODIFIÉE NI ÉTENDUE SAUF PAR ÉCRIT PAR UN REPRÉSENTANT AGRÉÉ DE HONEYWELL SAFETY PRODUCTS.

Semimáscaras séries 5500 e 7700 ***Manual de Instruções de*** ***Operação e Manutenção***

Honeywell International Inc.

900 Douglas Pike
Smithfield, RI 02917
EUA
Telefone: 800 430 -5490

Honeywell Safety Products

10550 Parkway Blvd
Anjou, Québec
Canadá H1J2K4
Telefone: 888 212-7233

Honeywell Safety Products Australia Pty Ltd.

43 Garden Boulevard
Dingley Vic 3172
Austrália
Telefone (Austrália): 1300 139-166
Fax (Austrália): 1300 362-491

Honeywell Safety Product da Brasil

Av. Marginal da Rodovia Dos Bandeirantes, 100
Distrito Industrial Jundiaí
SP 13213-008 Brasil
Telefone 11 3309 1000

Telefone (Nova Zelândia) 0800 322-200
Fax (Nova Zelândia) 0800 322-266

INTRODUÇÃO

As séries 5500 e 7700 são compostas de semimáscaras que são componentes de um respirador completo. Os componentes destes respiradores são vendidos separadamente. Somente os componentes fabricados pela Honeywell e relacionados no selo de aprovação devem ser usados. Estas Instruções para o Usuário referem-se exclusivamente ao uso e manutenção destas semimáscaras, bem como à sua montagem e utilização como respirador purificador de ar. Os respiradores devem ser usados e mantidos **somente** por pessoas que leram e compreenderam totalmente as instruções contidas neste Manual de Instruções e quaisquer outros Manuais de Instruções de Operação e Manutenção incluídos com os demais componentes de um respirador completo. Para obter informações adicionais e uma lista completa de componentes aprovados, acesse o website da Honeywell: www.honeywellsafety.com.

CERTIFICAÇÕES DO NIOSH

Quando os componentes relacionados no selo de aprovação do NIOSH forem utilizados, estes respiradores são aprovados como parte de respiradores purificadores de ar (com ou sem motor) e respiradores com suprimento de ar. Consulte as Instruções para o Usuário destes componentes (p.ex., Respirador Purificador de Ar Motorizado [PAPR] compacto) e os selos de aprovação do NIOSH fornecidos com esses produtos para uma lista de todos os componentes que precisam ser usados para montar um respirador completo aprovado pelo NIOSH. Quando usadas como respiradores purificadores de ar, as séries 5500 e 7700 oferecem proteção contra gases, vapores e/ou particulados perigosos em situações na qual a concentração não seja superior a 10 vezes o Limite de Exposição Permitido (PEL) da OSHA, seja inferior ao limite imediatamente perigoso à vida ou à saúde (IDLH) e haja oxigênio suficiente de acordo com os requisitos da norma OSHA ou CSA.

CERTIFICAÇÕES AUSTRALIANAS

Quando são usados os componentes relacionados no Selo de Aprovação das Normas AS/NZS, estes respiradores contam com a aprovação da Norma 1716.2003 Lic. 0563 da Austrália e Nova Zelândia para proteção respiratória contra gases, vapores e/ou particulados perigosos –dependendo dos filtros e/ou cartuchos purificadores de ar utilizados, da concentração e/ou toxicidade dos contaminantes e se há presença de oxigênio suficiente na atmosfera contaminada para sustentar a vida.

TERMINOLOGIA

Definição dos avisos de advertência, atenção e notas usados neste manual:

NOTA

Procedimentos e técnicas considerados bastante importantes para serem enfatizados.

ATENÇÃO

Procedimentos e técnicas que, se não forem cuidadosamente observados, resultarão em danos ao equipamento.

ADVERTÊNCIA

Procedimentos e técnicas que, se não forem cuidadosamente observados, irão expor o usuário a riscos de lesões e doenças graves ou morte.

ADVERTÊNCIAS

O uso indevido do respirador pode ser nocivo ou fatal!

Para a sua segurança, leia e observe estas diretrizes.

Peça esclarecimentos ao seu supervisor quando tiver qualquer dúvida sobre as diretrizes.

1. A inobservância destas instruções e advertências pode resultar na exposição a materiais nocivos, colocando o usuário em risco de lesões e doenças graves ou morte. Estas instruções **NÃO SE APLICAM** quando as semimáscaras estiverem sendo usadas como parte de um respirador purificador de ar motorizado ou com suprimento de ar. Consulte as Instruções para o Usuário referentes a esses componentes.
2. Nunca use este respirador:
 - Para realizar ou observar jateamento com areia ou jateamento abrasivo;
 - Para combater incêndios;
 - Em atmosferas deficientes de oxigênio (toda atmosfera, ao nível do mar, contendo um volume de oxigênio inferior a 19,5%);

- Em atmosferas nas quais as concentrações de contaminantes tóxicos sejam desconhecidas ou imediatamente perigosas à vida ou à saúde (IDLH). Atmosfera IDLH é definida como toda atmosfera com uma concentração de qualquer substância tóxica, corrosiva ou asfixiante que represente ameaça imediata à vida, que poderia causar efeitos debilitadores irreversíveis à saúde ou que poderia interferir com a capacidade de fuga de uma atmosfera perigosa.
- Em atmosferas nas quais a concentração do contaminante seja superior a:
 - i. *Se parte de um Programa de Proteção Respiratória da OSHA ou CSA:*
 1. 10 vezes o limite de exposição permitido (PEL) do contaminante. PEL é definido como a máxima concentração média ponderada pelo tempo (TWA) de exposição para a jornada de 8 horas estabelecida pela OSHA ou outros regulamentos governamentais, ou pelo NIOSH, ACGIH ou CSA.
 2. Qualquer valor inferior à Máxima Concentração de Uso para o contaminante em questão estabelecido pela OSHA ou outros regulamentos governamentais, publicações do NIOSH, ACGIH ou CSA, ou indicado na Ficha de Informações de Segurança de Produtos Químicos do contaminante.
 - ii. *Se parte de um Programa de Proteção Respiratória da Worksafe Australia (Autoridade para Segurança do Trabalho na Austrália):*
 1. Em atmosferas onde a concentração do contaminante exceda 10 vezes o limite de exposição permitido para o contaminante em questão definido pela Worksafe Australia ou outros regulamentos governamentais.
- Com quaisquer filtros ou cartuchos além daqueles aprovados para o uso com estas máscaras pela devida organização certificadora.
- Para proteger contra contaminantes não relacionados na etiqueta do filtro ou cartucho.
 - i. *Se parte de um Programa de Proteção Respiratória da OSHA ou CSA*, a etiqueta é o selo de aprovação do NIOSH incluído com os cartuchos aprovados pelo NIOSH e estas Instruções para o Usuário.
 - ii. *Se for parte de um Programa de Proteção Respiratória da Worksafe Australia*, as classificações nos filtros e cartuchos encontram-se marcados nos cartuchos certificados segundo as Normas da Austrália e Nova Zelândia: P, A, B, E e/ou K.
- Para proteger contra aerossóis a base de óleo, exceto quando utilizado um filtro 'R' ou 'P' (conforme a definição do NIOSH) como parte do Programa de Proteção Respiratória da OSHA ou CSA.
- Sem um Indicador de Término de Vida Útil (End-of-Service-Life Indicator –ESLI) no cartucho para o gás e/ou vapor presente nem um cronograma estabelecido para a troca de cartuchos para todos os gases e vapores que não contenham o ESLI.
- Em áreas com ventilação precária ou em espaços confinados como tanques, pequenas salas, túneis ou embarcações, exceto quando o espaço confinado for bem ventilado e sabe-se que a concentração dos contaminantes tóxicos está e permanecerá abaixo da Máxima Concentração de Uso recomendada para o respirador.

3. Abandone imediatamente a área de trabalho e remova o respirador se:
 - Você começar a ter dificuldades para respirar;
 - Ficar tonto ou desorientado;
 - Cheirar, sentir o gosto ou, de alguma outra forma, perceber a presença de contaminantes; ou
 - O respirador estiver danificado.
4. Este respirador não oferecerá proteção para áreas expostas do rosto ou do corpo contra gases, vapores ou partículas aéreas que podem irritar, queimar ou ser absorvidos pela pele. Deve-se usar proteção para as mãos e/ou corpo.
5. Não altere nem modifique este dispositivo de forma alguma. Quaisquer alterações ou modificações, incluindo a pintura, afixação de etiquetas ou o uso de peças de reposição não aprovadas podem reduzir a proteção e expor o usuário ao risco de doenças, lesões ou morte.

LIMITAÇÕES À SAÚDE

Antes de usar este respirador, você deve receber um atestado médico declarando estar em condições para usá-lo. Além disso, há limitações fisiológicas e psicológicas a serem consideradas antes da utilização de respiradores. Elas incluem, porém não se limitam a:

- a) Enfisema
- b) Doença pulmonar obstrutiva crônica
- c) Asma brônquica
- d) Evidência radiográfica de pneumoconiose
- e) Evidência de função pulmonar reduzida
- f) Doença arterial coronariana
- g) Hipertensão arterial grave ou progressiva
- h) Epilepsia (grande mal ou pequeno mal)
- i) Anemia perniciosa
- j) Diabetes (insipidus ou mellitus)
- k) Dificuldades para respirar ao usar um respirador com suprimento de ar
- l) Claustrofobia ou ansiedade ao usar um respirador com suprimento de ar
- m) Resultados anormais de eletrocardiogramas de repouso ou de esforço
- n) Tímpano perfurado ou rompido
- o) Medicamentos

PROGRAMA DE TREINAMENTO

Estas instruções resumidas não devem substituir um programa formal de treinamento de respiradores. O programa formal de treinamento deve ser feito antes de usar estes produtos pela primeira vez e deve incluir oportunidades para manusear, aprender a inspecionar, ajustar, usar o respirador em condições de ar normal durante um longo período de familiarização e, por fim, usá-lo em uma atmosfera de teste.

O programa de treinamento deve-se basear no mais recente Regulamento da OSHA (29 CFR Seção 1910.134), Norma Z94.4 da CSA ou Norma 1715 da Austrália e Nova Zelândia. Deve-se também estar familiarizado com quaisquer outros regulamentos pertinentes promulgados pelas diversas autoridades regulamentares, incluindo a ANSI Z88.2 dos EUA.

TESTE DE AJUSTE

Nenhum respirador contendo máscara com vedação poderá ser designado ao usuário antes dele passar por um teste de ajuste qualitativo ou quantitativo e os resultados desse teste indicarem que a máscara fica devidamente ajustada no usuário. As séries 5500 e 7700 encontram-se disponíveis em três tamanhos. As letras “S”, “M” ou “L” na máscara indicam os tamanhos Pequeno, Médio ou Grande. Leia abaixo as instruções de colocação do respirador. Consulte os regulamentos mais atualizados das normas OSHA 29 CFR 1910.134 Apêndice A (EUA), CSA Z94 (Canadá) ou AS/NZS 1715 (Austrália e Nova Zelândia) quanto aos procedimentos específicos para o teste de ajuste.

LEGENDA DAS ADVERTÊNCIAS E LIMITES DO SELO DE APROVAÇÃO DO NIOSH PARA OS RESPIRADORES PURIFICADORES DE AR

- A** Não deve ser usado em atmosferas contendo menos de 19,5% de oxigênio.
- B** Não deve ser usado em atmosferas imediatamente perigosas à vida ou à saúde.
- C** Não exceder as concentrações máximas de uso estabelecidas por normas regulamentares.
- H** Observar os cronogramas estabelecidos para a troca de cartuchos e tubos, ou observar o indicador de término de vida útil (ESLI) para assegurar sua troca antes que deixem de funcionar.
- J** O uso e a manutenção incorretos deste produto poderiam resultar em lesões ou morte.
- L** Observar as Instruções para o Usuário detalhadas pelo fabricante quanto à substituição de cartuchos, tubos e/ou filtros.
- M** Todos os respiradores aprovados devem ser selecionados, ajustados, usados e mantidos de acordo com os regulamentos da OSHA e de outros regulamentos pertinentes.
- N** Nunca se deve substituir, modificar, acrescentar ou omitir peças. Usar somente peças de reposição exatas na configuração, de acordo com as especificações do fabricante.
- O** Consultar as Instruções para o Usuário e/ou os manuais de manutenção para obter informações sobre o uso e a manutenção destes respiradores.
- P** O NIOSH não avalia respiradores para utilização como máscaras cirúrgicas.

- S1** Os cartuchos contra vapores e gases série N da Honeywell fabricados depois de agosto de 2012 exigem a utilização de uma tampa de filtro tipo teia de aranha (Nº ref. N750038), quando for empregado um filtro tipo almofada com o cartucho.
- S2** Quando os cartuchos purificadores de ar possuírem um indicador ESLI, deve ser possível visualizar o indicador sem movimentar a máscara de nenhuma forma que pudesse romper a vedação entre a máscara e o rosto.

INSPEÇÃO

Toda vez que colocar o respirador e antes de guardá-lo, deve-se inspecionar todos os seus componentes quanto ao desgaste ou danos. Não use este respirador se qualquer um de seus componentes estiver faltando ou apresentar danos.

- 1) Verificar a máscara quanto a rasgos, furos ou outros danos.
- 2) Verificar as válvulas de inalação e exalação para garantir que não estejam faltando nem apresentem danos.
- 3) Esticar os tirantes com cuidado, para garantir que o elástico não está desgastado. Inspecionar o gancho e olhal quanto a danos.
- 4) Verificar os conectores do cartucho para assegurar que estão devidamente assentados e sem rachaduras.

Não use este respirador se qualquer um de seus componentes estiver faltando ou apresentar danos.

MONTAGEM DO RESPIRADOR

Para usar esta semimáscara como um respirador purificador de ar será necessário conectar um filtro, cartucho ou combinação de cartucho/filtro. Siga as instruções abaixo para o tipo de filtro ou cartucho sendo utilizado.

- 1) Se estiver usando somente um filtro tipo almofada, será necessário usar o componente Nº ref. N750037 (que inclui duas tampas N750027 e dois suportes de filtro N750015) além dos dois filtros.
 - a) Posicione cada filtro na sua tampa, prestando atenção às instruções encontradas no filtro: “este lado para cima” ou “este lado para baixo” (Figura 1).
 - b) Encaixe a tampa do filtro e o filtro no suporte (Figura 2). Passe à Etapa 5.
- 2) Se estiver usando somente um filtro tipo almofada com cartucho contra gás ou vapor fabricado após agosto de 2012, precisará usar o componente Nº ref. N750036 (que inclui duas tampas de filtro N750027 e duas tampas tipo teia de aranha N750038) além dos dois filtros. Caso o cartucho tenha sido fabricado antes de agosto de 2012 serão necessárias duas tampas de filtro (Nº ref. N750027) e passar à Etapa 2b.

S1 – INSTRUÇÕES ESPECIAIS OU CRÍTICAS PARA O USUÁRIO

Os cartuchos contra vapores e gases série N da Honeywell fabricados depois de agosto de 2012 exigem a utilização de uma tampa tipo teia de aranha (Nº ref. N750038) quando o filtro tipo almofada for usado com o cartucho.

NOTA

Os cartuchos fabricados antes de agosto de 2012 apresentam um padrão quadriculado; aqueles fabricados após agosto de 2012 apresentam um padrão circular e exigem a utilização de uma tampa tipo teia de aranha (Nº ref. N750038) (Figura 3).

- a) Coloque a tampa tipo teia de aranha (Nº ref. N750038) sobre o cartucho, de forma que os oito entalhes se ajustem no círculo saliente interno e que a peça Nº ref. N750038 não fique invertida (Figura 4).
 - b) Posicione cada filtro na tampa (Nº ref. N750027), prestando atenção às instruções no filtro: “este lado para cima” ou “este lado para baixo” (Figura 1).
 - c) Encaixe o conjunto do filtro no cartucho (Figura 5). Passe à Etapa 5.
- 3) Se estiver usando filtros de baixo perfil com um cartucho contra gás ou vapor, serão necessários dois adaptadores N750035 além dos filtros.
- a) Encaixe o N750035 no cartucho.
 - b) Conecte o filtro no adaptador, cuidando para não danificar as roscas. Passe à Etapa 5.
- 4) Ao usar o adaptador para mochila (Nº ref. BP1002) com qualquer combinação de filtros ou cartuchos, conecte-o na extremidade rosqueada macho do adaptador. Verifique se os cartuchos ou filtros estão bem vedados com a junta do conector da placa posterior.

⚠ S2 – INSTRUÇÕES ESPECIAIS OU CRÍTICAS PARA O USUÁRIO

Quando os cartuchos purificadores de ar possuírem um indicador ESLI, deve ser possível visualizar o indicador sem movimentar a máscara de nenhuma forma que pudesse romper a vedação entre a máscara e o rosto. Não use cartucho com ESLI ao usar o Adaptador para Mochila.



Figura 1

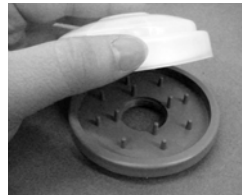


Figura 2

*Cartuchos após
junho de 2012*



*Cartuchos anteriores
a junho de 2012*



Figura 3

- 5) Prenda o filtro, conjunto do filtro, cartucho, filtro/cartucho ou conjunto da Mochila na máscara.
 - a) Cuide para que os filtros ou cartuchos não danifiquem as roscas.
 - b) Gire os filtros/cartuchos até ficarem bem assentados na junta e sentir certa resistência para continuar girando. Verifique se os cartuchos estão rentes com a vedação da máscara, e os conectores do cartucho e as juntas também estão rentes com o interior da máscara.
 - c) Não aperte demais, pois os conectores do cartucho podem rachar (Figura 6).
- 6) Puxe levemente o conjunto do filtro/cartucho para ter certeza de que está afixado firmemente.

ADVERTÊNCIAS

As aprovações do NIOSH e das normas da Austrália e da Nova Zelândia (AS/NZS), e todas as garantias da Honeywell para este respirador serão revogadas quando forem usados cartuchos e/ou filtros de outros fabricantes.

Filtros, cartuchos e outras combinações desses componentes devem ser iguais nos dois lados do respirador.

Use somente filtros, cartuchos ou combinações de filtros e cartuchos que ofereçam proteção contra os contaminantes relacionados no seu selo de aprovação do NIOSH ou AS/NZS.

Não use o adaptador para mochila com cartuchos que apresentem ESLI porque você não enxergará os indicadores ao usar o respirador nem saberá quando está na hora de trocar os cartuchos.

O não cumprimento dessas advertências resultará em riscos de lesões e doenças graves ou morte.

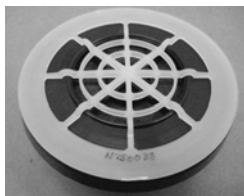


Figura 4



Figura 5



Figura 6

COLOCAÇÃO DO RESPIRADOR

Siga as instruções de INSPEÇÃO números 1 a 3 e, em seguida, puxe novamente os cartuchos ou filtros para garantir que estão conectados seguramente.

- 1) Retire os óculos, o capacete ou qualquer outro equipamento de proteção da cabeça antes de colocar o respirador.
- 2) Ajuste os tirantes do respirador até ficarem totalmente para fora.
- 3) Com uma mão prendendo o respirador, coloque o queixo no interior da queixeira e topo do respirador sobre o nariz (Figura 7). Se estiver usando um Adaptador para Mochila, as traqueias passarão sobre a cabeça e ficarão apoiadas sobre seus ombros.
- 4) Com a outra mão, posicione os tirantes plásticos de forma que fiquem centrados sobre a sua cabeça. (Figura 8).
- 5) Elimine qualquer folga nos tirantes superiores puxando as duas linguetas da extremidade para trás. Não puxe para fora e afaste do seu rosto. **NÃO APERTE NESTE MOMENTO.**
- 6) Aperte os tirantes elásticos inferiores atrás do pescoço e sob qualquer cabelo que esteja abaixo da linha dos cabelos (Figura 9).
- 7) Elimine qualquer folga nos tirantes inferiores puxando as duas linguetas da extremidade para frente (Figura 10). **NÃO APERTE NESTE MOMENTO.**
- 8) Aperte os dois tirantes superiores e, em seguida, os dois tirantes inferiores em incrementos pequenos e iguais, para garantir que o respirador fique justo, confortável e centrado no seu rosto. Pode-se usar as linguetas traseiras ou frontais dos tirantes inferiores.
- 9) Afaste o respirador de seu rosto e manuseie até ficar centrado, confortável e justo. Recoloque os óculos e arnês removidos anteriormente.



Figura 7



Figura 8



Figura 9

ADVERTÊNCIA

Não use o respirador caso não consiga obter uma boa vedação entre a máscara e o rosto em virtude de:

1. Pelo facial, incluindo barba por fazer,
2. Coberturas para o rosto, joias ou outros itens que interfiram na área de vedação, ou
3. Dentes ou dentaduras faltantes, deformidades faciais ou cicatrizes profundas que impossibilitem uma boa vedação.

NOTA

Os respiradores da Honeywell possuem uma área de vedação ampla para garantir máxima vedação facial. Cuide para não apertar o respirador demasiadamente. Isso poderia deformar a máscara e causar vazamentos na vedação entre a máscara e o rosto.



Figura 10



Figura 11



Figura 12

VERIFICAÇÕES DA VEDAÇÃO PELO USUÁRIO

Toda vez que colocar um respirador antes de entrar em uma área contendo atmosfera perigosa e regularmente enquanto estiver usando o respirador na área contaminada, deve-se constatar a eficácia da vedação entre o rosto e a máscara fazendo uma verificação da vedação.

- 1) Verificação da vedação com pressão positiva realizada pelo usuário
 - a) Coloque a palma da mão sobre a válvula de exalação e expire normalmente (Figura 11).
 - b) Se a máscara formar uma pequena protuberância, porém sem que haja vazamento de ar entre o rosto e a máscara, foi obtida uma vedação eficaz.
- 2) Verificação da vedação com pressão negativa pelo usuário
 - a) Coloque as palmas das mãos sobre as tampas dos filtros ou cartuchos e inspire normalmente. Prenda a respiração por 5 segundos (Figura 12).
 - b) Se a máscara ceder, porém sem que haja vazamento de ar entre o rosto e a máscara, foi obtida uma vedação eficaz.
- 3) Se detectar quaisquer vazamentos, reassente a máscara e/ou reajuste a tensão dos tirantes. Observe que, às vezes, será necessário afrouxar os tirantes.
- 4) Repita as verificações de vedação até obter uma vedação eficaz. Se não conseguir uma boa vedação, não utilize este respirador. Contate seu supervisor para substituir o respirador ou reajustá-lo a um tamanho apropriado.

ADVERTÊNCIA

Caso não consiga pronta e eficazmente vedar o respirador quando estiver em uma área contaminada, você deve abandonar a área imediatamente para evitar riscos de lesões e doenças graves ou morte.

NOTA

A Norma OSHA 29 CFR 1910.134 Apêndice B exige que o usuário realize um teste da vedação com pressão positiva ou negativa, de acordo com as instruções do fabricante. A CSA recomenda seguir as instruções do fabricante e fornece orientações para o usuário testar a vedação com pressão positiva e negativa na norma Z94.4, Anexo A.

A Honeywell fornece instruções para ambos os testes de vedação, visto que muitos higienistas industriais preferem utilizar os dois métodos, embora apenas um deles seja necessário. Se for testar a vedação com pressões positiva e negativa, faça primeiro o teste com pressão positiva.

Agora já estará pronto para entrar na área contaminada para a qual o respirador foi projetado.

EMERGÊNCIAS DURANTE O USO

Abandone a área imediatamente caso comece a ter dificuldades para respirar; se ficar tonto ou desorientado; se cheirar, sentir o gosto ou de alguma outra forma perceber a presença de contaminantes, ou se o seu respirador ficar danificado.

VIDA ÚTIL

Quando este respirador for usado para a proteção contra gases ou vapores com limites definidos de exposição ocupacional, deve-se observar um cronograma de substituição dos cartuchos para garantir a troca antes do final de sua vida útil. Se os cartuchos tiverem um indicador de término da vida útil (ESLI), deve-se respeitar as instruções de troca do indicador que acompanham o cartucho. Os filtros devem ser trocados quando a respiração se tornar difícil.

REMOÇÃO DO RESPIRADOR

ADVERTÊNCIA

Antes de remover o respirador, dirija-se a uma área com ar não contaminado.

Desengate o clipe do tirante inferior e remova o respirador.

LIMPEZA DA MÁSCARA

Durante intervalos e entre as limpezas mais minuciosas, pode-se usar um lenço umedecido para limpar a porção da máscara que entra em contato com o rosto. Para fazer uma limpeza detalhada, siga as etapas abaixo.

- 1) Remova os cartuchos ou filtros. Remova o Adaptador para mochila, se usado.
- 2) Remova conjunto de tiras da cabeça, todas as válvulas, sede e proteção da válvula de exalação e conectores de inalação da máscara.
- 3) Prepare uma solução sanitizante de acordo com as instruções.
- 4) Lave completamente a máscara e os componentes na solução de limpeza sanitizante. Use uma escova com cerdas macias na máscara e no conjunto do arnês para desprender toda sujeira endurecida.
- 5) Enxágue a máscara e os componentes em água limpa e morna, e deixe secar completamente.
- 6) Monte novamente a máscara depois de concluir todas as etapas descritas na seção INSPEÇÃO.

ADVERTÊNCIA

Nunca deixe cartuchos ou filtros entrar em contato com a água ou com as soluções de limpeza e sanitizantes. A umidade pode danificar esses componentes e o não cumprimento desta advertência resultará em riscos de lesões e doenças graves ou morte.

ARMAZENAMENTO

Armazene em uma área limpa e seca, evitando a possibilidade de contaminação. Use o saco para armazenagem do respirador fornecido com a máscara ou qualquer outro recipiente vedável que oferecerá proteção à máscara. A temperatura ambiente entre 10 °C (50 °F) e 38 °C (100 °F) é ideal para o armazenamento.

ADVERTÊNCIA

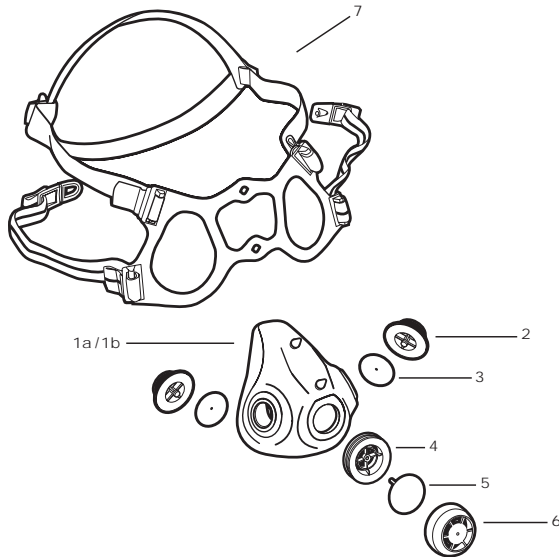
Nunca armazene a máscara com cartuchos ou filtros que tenham sido expostos a contaminantes. Se os cartuchos e/ou filtros forem reutilizados, vede-os em um saco ou recipiente separado. Não exponha à luz solar direta, poluentes químicos ou poeira.

Cartuchos previamente expostos a contaminantes com um baixo ponto de ebulição e todos os filtros com classificação R do NIOSH expostos a aerossóis a base de óleo devem ser descartados ao fim da jornada de trabalho. Ao descartar cartuchos, máscaras ou componentes contaminados, respeite os regulamentos municipais, estaduais e/ou nacionais relativos ao descarte de materiais perigosos e/ou de outros artigos contaminados. Consulte seu supervisor e/ou as autoridades pertinentes.

ATENÇÃO

Não exponha o respirador ao calor excessivo (acima de 60 °C [140 °F]), à umidade ou a substâncias contaminantes; não empilhe pesos desmedidos em cima da máscara ou dos componentes durante o armazenamento, pois estas condições podem deformar a máscara, impossibilitando ajustes corretos durante usos posteriores ou comprometendo a funcionalidade do componente.

PEÇAS DE REPOSIÇÃO



Conjunto completo

Para respiradores aprovados pelo NIOSH:

550030S, M, L Semimáscara elástica,
tamanhos pequeno, médio e grande

770030S, M, L Semimáscara de silicone,
tamanhos pequeno, médio e grande

Para respiradores aprovados pela AS/NZS:

550030AS, M, L Semimáscara elástica,
tamanhos pequeno, médio e grande

770030AS, M, L Semimáscara de silicone,
tamanhos pequeno, médio e grande

Peças de reposição para respiradores aprovados pelo NIOSH e AS/NZS

1a 550011S, M, L Máscara básica para a série 5500,
tamanhos pequeno, médio e grande

1b 770011S, M, L Máscara básica para a série 7700,
tamanhos pequeno, médio e grande

2 770016 Conector do cartucho

3 770017 Válvula de inalação

4 770019 Sede da válvula de exalação

5 770018 Válvula de exalação

6 770020 Proteção da válvula de exalação

7 770092 Sistema de suspensão da armação

COMPONENTES ADICIONAIS

Nº de ref.

Descrição

Suportes de cartuchos e filtros

N750035	Adaptador para filtros de baixo perfil, para fixar os filtros nos cartuchos contra gases ou vapores
N750036	Conjunto para filtros. Inclui (2) tampas N750027 e (2) tampas de filtro tipo aranha N750038 para prender almofadas de filtro nos cartuchos contra gases e vapores
N750037	Conjunto para filtros. Inclui (2) tampas N750027 e (2) suportes de filtro N750015 para conectar os filtros à máscara
N750037A	Conjunto para filtros. Inclui (2) tampas N750027 e (2) suportes de filtro N750015 para conectar os filtros à máscara
BP1002	Adaptador para mochila

GARANTIA

A Honeywell Safety Products garante ao proprietário original que esta máscara não apresentará nenhum defeito de material e mão de obra por um período de 1 (um) ano a partir da data de remessa original da fábrica da Honeywell. De acordo com esta garantia, a responsabilidade da Honeywell será, a seu critério, reparar ou trocar gratuitamente a máscara ou quaisquer de seus componentes que julgue estarem defeituosos durante o período de garantia, de acordo com os seguintes termos:

1. A reivindicação da garantia seja (i) feita pelo proprietário que adquiriu a máscara série 5500 ou 7700 da Honeywell ou de um de seus distribuidores autorizados e (ii) feita no máximo após 3 (três) meses do término do período da garantia.
2. A Honeywell julgar que a máscara ou o componente da série 5500 ou 7700 apresentou defeito dentro do período de 1 (um) ano de utilização e manutenção normais da data de aquisição do produto pelo proprietário.
3. A máscara ou componente da série 5500 ou 7700 seja enviado com frete pré-pago à Honeywell, quer para a sua fábrica ou para um de seus centros de serviços autorizados. A máscara ou o componente será posteriormente reenviado ao proprietário com frete a pagar.
4. Esta garantia não se aplica (i) a nenhuma máscara ou componente da série 5500 ou 7700 que a Honeywell julgue estar defeituosa em decorrência de acidentes, alterações, uso indevido, abusos ou serviços de manutenção realizados com peças não aprovadas pela Honeywell; (ii) a deterioração ou envelhecimento de qualquer componente feito de borracha ou de outro elastômero, já que tais componentes podem ser prejudicados por exposição indevida ao calor, sol, água, produtos químicos, ozônio ou outros elementos deteriorantes; ou (iii) peças que se tornam defeituosas com o decorrer do uso normal. A decisão do que constitui uso normal será tomada exclusivamente pela HONEYWELL SAFETY PRODUCTS.
5. Para manter esta garantia, o comprador deverá realizar manutenções e inspeções conforme estabelecidas no Manual de Instruções, que incluem a substituição ou reparo imediato de peças defeituosas e a substituição de peças de acordo com o cronograma de manutenção descrito neste Manual de Instruções.

O PROPRIETÁRIO ASSUME TODOS OS DEMAIS RISCOS, SE HOUVER, TAIS COMO O RISCO DE PERDAS DIRETAS, INDIRETAS OU CONSEQUENTES OU DE DANOS DECORRENTES DO USO OU DA INCAPACIDADE DE USAR O PRODUTO. REALIZAR SERVIÇOS EM RESPIRADORES HONEYWELL UTILIZANDO PEÇAS NÃO APROVADAS POR ESTA EMPRESA REVOGARÁ A GARANTIA E AS APROVAÇÕES DO NIOSH E DAS NORMAS AS/NZS PARA A UNIDADE DO RESPIRADOR. ESTA GARANTIA SUBSTITUI TODAS AS DEMAIS GARANTIAS, EXPRESSAS OU IMPLÍCITAS, E NÃO PODE SER MODIFICADA OU PROLONGADA, EXCETO QUANDO POR ESCRITO POR UM REPRESENTANTE AUTORIZADO DA HONEYWELL SAFETY PRODUCTS.



Medias Máscaras Series 5500 y 7700

Manual de Instrucciones de Operación y Mantenimiento

Honeywell International Inc.

900 Douglas Pike
Smithfield, RI 02917
EE.UU.
Teléfono 800 430-5490

Honeywell Safety Products

10550 Parkway Blvd.
Anjou, Quebec
Canadá H1J2K4
Teléfono 888 212-7233

Honeywell Safety Products Australia Pty Ltd.

43 Garden Boulevard
Dingley Vic 3172
Australia
Teléfono (Australia) 1300 139-166
Fax (Australia) 1300 362-491

Honeywell Safety Product da Brasil

Av. Marginal da Rodovia Dos Bandeirantes, 100
Distrito Industrial Jundiaí
SP 13213-008 Brasil
Teléfono 11 3309 1000

Teléfono (Nueva Zelanda) 0800 322-200
Fax (Nueva Zelanda) 0800 322-266

INTRODUCCIÓN

Las Series 5500 y 7700 constan de medias máscaras que son un componente de un respirador completo. Los componentes de estos respiradores se venden por separado. Sólo se deben utilizar aquellos componentes fabricados por Honeywell que aparecen en la lista de la etiqueta de aprobación. Estas Instrucciones del usuario se refieren únicamente al uso y mantenimiento de estas medias máscaras, y al montaje y uso de estas medias máscaras como un respirador purificador de aire. Estos respiradores deberán ser utilizados y mantenidos **solamente** por individuos que hayan leído y entendido completamente las instrucciones contenidas en este Manual de Instrucciones y cualesquiera otros Manuales de Instrucciones de Operación y Mantenimiento incluidos con los demás componentes de un respirador completo. Para obtener más información y la lista de todos los componentes aprobados, refiérase al sitio web de Honeywell en www.honeywellsafety.com.

CERTIFICACIONES NIOSH

Cuando se utilizan los componentes que aparecen en la lista de la Etiqueta de aprobación NIOSH, estos respiradores están aprobados como parte de respiradores purificadores de aire, respiradores purificadores de aire forzado o respiradores de aire suministrado. Consulte las Instrucciones del Usuario de tales componentes (por ejemplo, PAPR Compact Air) y las etiquetas de aprobación NIOSH suministradas con estos productos para ver la lista de todos los componentes que deben utilizarse para armar un respirador completo aprobado por NIOSH. Cuando se utilizan como respiradores purificadores de aire, las series 5500 y 7700 brindan protección contra gases, vapores y/o partículas peligrosas donde la concentración de estos no es superior a 10 veces el Límite de Exposición Permisible (PEL); está por debajo del umbral de contaminantes considerados inmediatamente peligrosos para la vida o la salud (IDLH); y el nivel de oxígeno es suficiente de acuerdo a los requisitos OSHA o CSA.

CERTIFICACIONES AUSTRALIANAS

Cuando se utilizan los componentes que aparecen en la lista de la Etiqueta de Aprobación de Australia y Nueva Zelanda, estos respiradores están aprobados bajo la Norma 1716.2003 Lic. 0563 de Australia y Nueva Zelanda para protección respiratoria contra gases, vapores y/o partículas peligrosas; dependiendo de los cartuchos purificadores de aire y/o los filtros utilizados y la concentración y/o la toxicidad del contaminante; y si hay suficiente oxígeno presente en la atmósfera contaminada para preservar la vida.

TERMINOLOGÍA

Las advertencias, precauciones y avisos que contiene este manual tienen el siguiente significado:

AVISO

Procedimientos y técnicas que se consideran lo suficientemente importantes para ser enfatizados.

ATENCIÓN

Procedimientos y técnicas que, si no se observan cuidadosamente, podrían ocasionar daños al equipo.

ADVERTENCIA

Procedimientos y técnicas que, si no se observan cuidadosamente, podrían exponer al usuario al riesgo de lesiones graves, enfermedad o la muerte.

ADVERTENCIAS

**¡El uso inadecuado del respirador puede resultar peligroso o mortal!
Por su seguridad, lea y observe estas directrices.
Si no las entiende, ¡pregunte a su supervisor!**

1. El incumplimiento de estas instrucciones y advertencias podría resultar en la exposición a materiales peligrosos, exponiendo al usuario al riesgo de lesión grave, enfermedad o muerte. Estas instrucciones **NO APLICAN** si se está utilizando la media máscara como parte de un respirador purificador de aire forzado o respirador de aire abastecido. Consulte las Instrucciones del usuario para esos componentes.
2. Nunca utilice este respirador:
 - Para realizar u observar operaciones de limpieza con chorro de arena o chorro abrasivo;
 - Para combatir incendios;
 - En atmósferas sin suficiente oxígeno (cualquier atmósfera con menos de 19,5% de oxígeno por volumen a nivel del mar);

- En atmósferas donde se desconocen las concentraciones de los contaminantes tóxicos o donde son directamente peligrosos para la vida o para la salud. Una atmósfera directamente peligrosa para la vida o la salud es aquella que tiene una concentración de alguna sustancia tóxica, corrosiva o asfixiante, que presente una amenaza directa a la vida, que pueda producir efectos debilitantes irreversibles sobre la salud o que pueda interferir con la capacidad para escapar de una atmósfera peligrosa.
- En atmósferas donde la concentración del contaminante exceda:
 - i. *Si es parte de un Programa de Protección Respiratoria de la OSHA o la CSA:*
 1. 10 veces el Límite de Exposición Permissible (PEL) del contaminante. PEL se define como la concentración máxima permisible de 8 horas de tiempo promedio ponderado (TPP) establecido por las normativas de la OSHA u otras normativas gubernamentales aplicables, o por NIOSH, ACGIH o CSA.
 2. Cualquier Concentración de uso máximo más baja para ese contaminante establecida por las normativas de la OSHA u otras normativas gubernamentales, las publicaciones de NIOSH, ACGIH o CSA, o mostrada en la Hoja de Datos de Seguridad de Materiales del contaminante.
 - ii. *Si es parte de un Programa de Protección Respiratoria de Worksafe Australia:*
 1. En atmósferas donde la concentración del contaminante es superior a 10 veces el límite de exposición permisible del contaminante establecido por Worksafe Australia u otras regulaciones gubernamentales.
- Con cualesquiera filtros o cartuchos otros que aquellos certificados para uso con esta máscara por la organización certificadora apropiada.
- Para proteger contra contaminantes no indicados en la etiqueta de ese filtro o cartucho.
 - i. *Si es parte de un Programa de Protección Respiratoria de la OSHA o CSA*, la etiqueta es la etiqueta de aprobación NIOSH incluida con los cartuchos de aprobación NIOSH e incluida con estas Instrucciones del usuario.
 - ii. *Si es parte de un Programa de Protección Respiratoria de Worksafe Australia*, las capacidades de los filtros y cartuchos se marcan en los cartuchos certificados para los Estándares de Australia y Nueva Zelanda como P, A, B, E y/o K.
- Para proteger contra aerosoles a base de aceite a menos que se utilice un filtro 'R' o 'P' (definidos por NIOSH) cuando se utiliza el respirador como parte de un Programa de Protección Respiratoria de la OSHA o CSA.
- Sin un Indicador de fin de vida útil (ESLI) en el cartucho para el gas y/o el vapor presentes, o bien un programa establecido de cambio de cartucho para todos los gases y vapores para los cuales no haya un ESLI.
- En áreas con ventilación deficiente, o espacios confinados tales como tanques, habitaciones pequeñas, túneles o recipientes, a menos que el espacio confinado esté bien ventilado y se sepa que la concentración de los contaminantes tóxicos es menor y seguirá siendo menor que la concentración máxima de uso recomendada para el respirador.

3. Abandone inmediatamente el área de trabajo y quítese el respirador si:
 - Se dificulta la respiración;
 - Se mareo o se desorienta;
 - Usted huele, saborea o de alguna otra forma detecta contaminantes;
 - Su respirador se ha dañado.
4. Este respirador no protegerá áreas expuestas de la cara o del cuerpo contra gases, vapores o partículas aerotransportadas que pueden irritar, quemar o ser absorbidas a través de la piel. Usted debe usar protección para las manos y/o el cuerpo.
5. No altere ni modifique de ninguna forma este dispositivo. Cualesquiera alteraciones o modificaciones, incluyendo pintura, pegadura de etiquetas o el uso de partes de repuesto no aprobadas, pueden reducir la protección y exponer al usuario al riesgo de enfermedad, lesión o muerte.

LIMITACIONES DE SALUD

Usted deberá estar certificado como médicamente apto antes de usar este respirador. Además hay limitaciones tanto fisiológicas como psicológicas que se deben tener en cuenta antes de usar respiradores. Estas incluyen, pero no se limitan a:

- a) Enfisema
- b) Enfermedad pulmonar obstructiva crónica
- c) Asma bronquial
- d) Evidencia de neumoconiosis en una radiografía
- e) Evidencia de función pulmonar reducida
- f) Enfermedad arterial coronaria
- g) Hipertensión severa o progresiva
- h) Epilepsia (gran mal o mal leve)
- i) Anemia perniciosa
- j) Diabetes (insípida o mellitus)
- k) Dificultad respiratoria al usar un respirador de aire suministrado
- l) Claustrofobia o ansiedad al usar un respirador de aire suministrado
- m) Resultados anormales de EKG en pruebas en reposo o de esfuerzo
- n) Tímpano punzado o roto
- o) Medicamentos

PROGRAMA DE CAPACITACIÓN

Estas breves instrucciones escritas no sustituyen un programa formal de capacitación para el uso del respirador. Tal capacitación debe tomarse antes de utilizar este producto por primera vez y deberá incluir una oportunidad para que usted maneje el respirador, aprenda a inspeccionarlo, lo ajuste correctamente, lo use con aire normal por un período prolongado para familiarizarse con el mismo, y finalmente, lo use en una atmósfera de prueba.

El Programa de Capacitación deberá estar basado en la norma más reciente de OSHA, 29 CFR Sección 1910.134, norma Z94.4 de CSA o la norma 1715 de Australia y Nueva Zelanda. También deberá estar familiarizado con cualesquiera otras regulaciones pertinentes promulgadas por diversas Autoridades reguladoras, incluyendo ANSI Z88.2 en EE.UU.

PRUEBA DE AJUSTE

No se le debe asignar a ningún usuario un respirador con una máscara ceñida hasta que el usuario haya pasado por una prueba de ajuste cualitativa o cuantitativa del respirador y los resultados de la misma indiquen que el ajuste de la máscara es adecuado para esa persona. Las Series 5500 y 7700 están disponibles en tres tamaños. Las letras "S", "M" o "L" en la máscara indican los tamaños Pequeño, Mediano o Grande. Consulte las instrucciones que se dan abajo para colocarse el respirador. Consulte la norma más reciente de OSHA 29 CFR 1910.134 Anexo A (EE.UU.), CSA Z94 (Canadá), o AS/NZS 1715 para los procedimientos de Prueba de Ajuste específicos (Australia y Nueva Zelanda).

CLAVE DE LAS ADVERTENCIAS Y LIMITACIONES PARA LOS RESPIRADORES PURIFICADORES DE AIRE QUE APARECEN EN LA ETIQUETA DE APROBACIÓN NIOSH

- A** No se debe usar en atmósferas que contengan menos del 19,5 por ciento de oxígeno.
- B** No se debe usar en atmósferas que sean directamente peligrosas para la vida o la salud.
- C** No exceda las concentraciones de uso máximo establecidas por los estándares reguladores.
- H** Siga los programas establecidos de cambio de cartuchos y latas pequeñas u observe el indicador de fin de vida útil (ESLI) para asegurar el reemplazo de los cartuchos y las latas pequeñas antes de que ocurra una ruptura.
- J** Si este producto no se usa y se mantiene correctamente, se pueden producir lesiones o la muerte.
- L** Siga la Instrucción para el Usuario publicada por el fabricante para cambiar los cartuchos, latas y/o filtros.
- M** Todos los respiradores aprobados se deben seleccionar, ajustar, usar y mantener de acuerdo con las regulaciones de OSHA y otras regulaciones aplicables.
- N** Nunca sustituya, modifique, añada u omite partes. Utilice únicamente partes de repuesto exactas en la configuración, según la especificación del fabricante.
- O** Consulte los manuales de instrucciones y/o de mantenimiento para obtener la información sobre el uso y mantenimiento de estos respiradores.
- P** NIOSH no evalúa los respiradores para uso como máscaras de cirugía.

- S1** Los cartuchos de gas y vapor de la Serie N de Honeywell fabricados después de agosto de 2012 requieren el uso de una rejilla redonda tipo telaraña (P/N N750038) cuando se utiliza un filtro de tipo almohadilla con el cartucho.
- S2** Si los cartuchos purificadores de aire tienen un indicador de fin de vida útil (ESLI), éste deberá ser visible sin tener que mover la máscara de ninguna forma que pueda romper el sello de la cara con la máscara.

INSPECCIÓN

Cada vez y toda vez que usted se ponga su respirador y antes de almacenarlo, debe inspeccionar todos los componentes para ver si están desgastados o dañados. Si cualquier componente falta o está dañado, no utilice el respirador.

- 1) Revise la máscara para ver si tiene rasgaduras, agujeros u otros daños.
 - 2) Revise las válvulas de inhalación y exhalación para asegurarse que no falten ni estén dañadas.
 - 3) Tire ligeramente de las correas para la cabeza para asegurarse que las correas elásticas no estén desgastadas. Verifique que el gancho y el ojo no estén dañados.
 - 4) Revise los conectores del cartucho para asegurarse que estén bien asentados y no estén rajados.
- Si cualesquiera componentes faltan o están dañados, no utilice el respirador.

CÓMO ENSAMBLAR EL RESPIRADOR

Para usar esta media máscara como un respirador purificador de aire, se le debe conectar un filtro, un cartucho o una combinación de cartucho y filtro. Siga las instrucciones que se dan a continuación para el tipo de filtro o cartucho que esté usando.

- 1) Si está utilizando un filtro de tipo almohadilla únicamente, necesitará el componente P/N N750037 (incluye dos cubiertas N750027 y dos soportes de filtro N750015) además de los dos filtros.
 - a) Coloque cada filtro en la cubierta para filtros, prestando atención a las instrucciones en el filtro “este lado hacia la cara” o “este lado alejado de la cara” (Figura 1).
 - b) Enganche la cubierta para filtros y el filtro en el soporte de filtro (Figura 2). Proceda al Paso 5.
- 2) Si está utilizando un filtro de tipo almohadilla con un cartucho de gas o vapor fabricado después de agosto de 2012, necesitará el componente P/N N750036 (incluye dos cubiertas N750027 y dos rejillas redondas tipo telaraña N750038) además de los dos filtros. Si su cartucho fue fabricado antes de agosto de 2012, necesitará dos cubiertas de filtro (P/N N750027), y proceda al Paso 2b.

S1 – INSTRUCCIONES ESPECIALES O CRÍTICAS PARA EL USUARIO

Los cartuchos de gas y vapor de la Serie N de Honeywell fabricados después de agosto de 2012 requieren el uso de una rejilla redonda tipo telaraña (P/N N750038) cuando se utiliza un filtro de tipo almohadilla con el cartucho.

AVISO

Los cartuchos fabricados antes de agosto de 2012 tienen un patrón de rejilla; aquellos fabricados después de agosto de 2012 tienen un patrón circular y requieren el uso de una rejilla redonda tipo telaraña, (P/N N750038) (Figura 3).

- a) Coloque la rejilla redonda tipo telaraña (P/N N750038) en el cartucho de manera que las ocho muescas endentadas en el círculo interior en relieve y el número de pieza "N750038" no queden hacia atrás (Figura 4).
 - b) Coloque cada filtro en la cubierta para filtros (P/N N750027), prestando atención a las instrucciones en el filtro "este lado hacia la cara" o "este lado alejado de la cara" (Figura 1).
 - c) Enganche el conjunto del filtro en el cartucho (Figura 5). Proceda al Paso 5.
- 3) Si está usando filtros de bajo perfil con un cartucho de gas o vapor, necesitará dos adaptadores N750035 además de los filtros.
- a) Enganche el adaptador N750035 en el cartucho.
 - b) Instale el filtro en el adaptador, teniendo cuidado para no enroscarlos en forma incorrecta. Proceda al Paso 5.
- 4) Si está utilizando el Adaptador dorsal (P/N BP1002) con cualquier combinación de filtros o cartuchos, móntelos en el extremo roscado macho del adaptador. Verifique que los cartuchos o filtros estén efectivamente sellados contra la empaquetadura en el conector de placa posterior.

S2 – INSTRUCCIONES ESPECIALES O CRÍTICAS PARA EL USUARIO

Si los cartuchos purificadores de aire tienen un indicador de fin de vida útil (ESLI), éste deberá ser visible sin tener que mover la máscara de ninguna forma que pueda romper el sello de la cara con la máscara. No utilice cartuchos con un indicador de fin de vida útil (ESLI) si está usando el Adaptador dorsal.



Figura 1

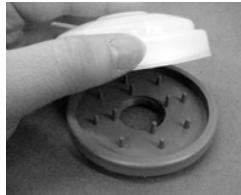


Figura 2

*Cartuchos después
de junio de 2012*



*Cartuchos antes de
junio de 2012*



Figura 3

- 5) Instale su filtro, conjunto de filtro, cartucho, filtro/cartucho o conjunto dorsal en la máscara.
 - a) Asegúrese de enroscar los filtros o cartuchos de forma correcta.
 - b) Gire los filtros o cartuchos hasta que queden bien asentados contra la empaquetadura y usted sienta resistencia al tratar de seguir girándolos. Asegúrese que los cartuchos estén al ras con el sello de la máscara y que las empaquetaduras y conectores de cartucho también estén al ras con el lado interior de la máscara.
 - c) No apriete demasiado ya que los conectores para cartuchos se podrían agrietar (Figura 6).
- 6) Tire ligeramente del conjunto del filtro/cartucho para asegurarse que esté firmemente fijo.

ADVERTENCIAS

Las aprobaciones NIOSH y AS/NZS y todas las garantías de Honeywell para este respirador se anulan si se usan cartuchos y/o filtros de otros fabricantes.

Los filtros, cartuchos y combinaciones de filtros y cartuchos deben ser iguales en ambos lados del respirador.

Utilice únicamente filtros, cartuchos o combinaciones de filtros y cartuchos para protección contra los contaminantes indicados en la Etiqueta de Aprobación NIOSH o AS/NZS de ese filtro o cartucho.

No utilice el Adaptador dorsal con cartuchos que tengan un indicador de fin de vida útil (ESLI), ya que no podrá ver los indicadores mientras usa el respirador, y no sabrá cuando cambiar los cartuchos.

El incumplimiento de estas advertencias resultará en el riesgo de lesiones graves, enfermedad o muerte.

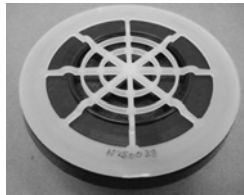


Figura 4



Figura 5



Figura 6

PONERSE EL RESPIRADOR

Siga las instrucciones de INSPECCIÓN 1 a 3, luego tire nuevamente de los cartuchos o filtros para asegurarse que estén firmemente fijos.

- 1) Antes de ponerse el respirador, quítese los anteojos, el casco u otros equipos de la cabeza.
- 2) Ajuste las correas para la cabeza del respirador a su máxima posición extendida.
- 3) Con una mano sujetando el respirador, ponga su barbilla dentro de la copa para la barbilla, y la parte superior del respirador sobre su nariz (Figura 7). Si está usando el Adaptador dorsal, los tubos de respiración pasarán sobre su cabeza y descansarán en sus hombros.
- 4) Con la otra mano, coloque las correas para la cabeza de plástico de manera que estén centradas en su cabeza (Figura 8).
- 5) Tire de las dos lengüetas extremas directamente hacia atrás para tensar las correas superiores. No tire hacia afuera y alejándose de su cara. **NO APRIETE A ESTE PUNTO.**
- 6) Sujete las correas elásticas inferiores detrás de su cuello, y debajo de todo cabello que esté por debajo del nacimiento del cabello (Figura 9).
- 7) Tire de las dos lengüetas extremas posteriores hacia adelante para tensar las correas inferiores (Figura 10). **NO APRIETE A ESTE PUNTO.**
- 8) Apriete las dos correas para la cabeza superiores y luego las dos inferiores en incrementos pequeños e iguales para asegurarse que el respirador quede bien ajustado en forma pareja, se sienta cómodo, y esté centrado en su rostro. Usted puede usar las lengüetas posteriores, o bien frontales de las correas inferiores.
- 9) Tire del respirador y aléjelo de su cara, y maniébrelo para asegurarse que esté centrado, se sienta cómodo y esté bien ajustado. Póngase los anteojos y el casco que se quitó anteriormente.



Figura 7



Figura 8



Figura 9

ADVERTENCIA

Nunca use el respirador si no puede lograr un buen sello de la cara con la máscara debido a:

1. Vello facial, incluyendo toda barba,
2. Cubiertas para la cara, prendas o cualquier otro artículo que interfieran con el área de sello; o
3. Dientes faltantes o dentaduras postizas, deformidades faciales o cicatrices profundas que impidan un buen sello.

AVISO

Los respiradores Honeywell tienen un área de sello amplia para garantizar un sello máximo de la cara con la máscara. Tenga cuidado de no apretar demasiado el respirador. Apretarlo demasiado podría deformar la máscara y producir fugas en el sello de la máscara con la cara.



Figura 10



Figura 11



Figura 12

VERIFICACIONES DEL SELLO DEL USUARIO

Cada vez que se ponga el respirador antes de entrar a un área que contenga una atmósfera peligrosa y, periódicamente, mientras tenga puesto el respirador en el área contaminada, usted debe comprobar la eficacia del sello entre la máscara y la cara mediante una prueba de sello del usuario.

- 1) Verificación del sello del usuario a presión positiva
 - a) Coloque la palma de la mano sobre la válvula de exhalación y exhale normalmente (Figura 11).
 - b) Si la máscara se hincha ligeramente y no se detecta ninguna fuga de aire entre su cara y la máscara, significa que el sello logrado es eficaz.
- 2) Verificación del sello del usuario a presión negativa
 - a) Coloque las palmas de ambas manos sobre las cubiertas de filtro o los cartuchos e inhale normalmente. Aguante la respiración durante 5 segundos (Figura 12).
 - b) Si la máscara se colapsa y no se detecta ninguna fuga de aire entre su cara y la máscara, significa que el sello logrado es eficaz.
- 3) Si detecta una fuga de aire, vuelva a asentar la máscara y/o reajuste la tensión de las correas para la cabeza. Observe que a veces quizá sea necesario aflojar las correas.
- 4) Repita la verificación(nes) del sello del usuario hasta que se obtenga un sello efectivo. Si no puede lograr un sello, no utilice el respirador. Consulte a su supervisor ya sea para obtener un respirador de repuesto o para reajustarlo a un tamaño adecuado.

ADVERTENCIA

Si no puede lograr rápidamente un sello eficaz mientras usa el respirador en un área contaminada, debe salir inmediatamente del área contaminada para evitar el riesgo de lesión grave, enfermedad o muerte.

AVISO

La norma OSHA 29 CFR 1910.134 Anexo B requiere una Verificación del sello del usuario ya sea positiva o negativa, realizada de acuerdo con las instrucciones del fabricante. CSA recomienda seguir las instrucciones del fabricante, y proporciona directrices para la Verificación del sello del usuario Positiva y Negativa en la norma Z94.4 Anexo A.

Honeywell proporciona instrucciones para ambas verificaciones del sello porque muchos Higienistas industriales prefieren el uso de ambos métodos, pero sólo es necesario utilizar uno de los dos métodos. Si está realizando ambas verificaciones del sello del usuario, positiva y negativa, realice primero la verificación del sello positiva.

Ahora ya está listo para entrar al área contaminada para la cual se ha diseñado el respirador.

EMERGENCIA DURANTE EL USO

Abandone inmediatamente el área contaminada si se dificulta la respiración; se mareo o se desorienta; usted huele, saborea o de alguna otra forma detecta contaminantes; o se daña el respirador.

VIDA ÚTIL

Cuando se usa este respirador para protegerse contra gases o vapores para los que se haya definido restricciones laborales de exposición, se debe seguir un programa de reemplazo que garantice el reemplazo de los cartuchos antes de agotarse su vida útil. Si los cartuchos tienen un Indicador de fin de vida útil (ESLI), los cartuchos se deben reemplazar de acuerdo con las instrucciones que vienen con el cartucho ESLI. Los filtros deben reemplazarse cuando sea difícil respirar.

PARA QUITARSE EL RESPIRADOR



Antes de quitarse el respirador, vaya a un área que no tenga aire contaminado.

Desenganche la presilla en la correa inferior y quítese el respirador.

LIMPIEZA DE LA MÁSCARA

Durante los descansos y entre las limpiezas más a fondo, se puede utilizar un paño limpiador refrescante para limpiar la porción de la máscara que entre en contacto con su cara. Siga los pasos que se dan a continuación para realizar una limpieza a fondo.

- 1) Retire los cartuchos o filtros. Retire el Adaptador dorsal, si está utilizándolo.
- 2) Retire el conjunto de la banda de cabeza, todas las válvulas, la protección y el asiento de exhalación, y los conectores de inhalación de la máscara.
- 3) Prepare una solución de limpiador desinfectante de acuerdo con las instrucciones.
- 4) Lave la máscara y los componentes completamente en la solución de limpiador desinfectante. Utilice un cepillo de cerdas suaves en el conjunto del casco y la máscara para aflojar las acumulaciones de suciedad.
- 5) Enjuague la máscara y los componentes en agua limpia y tibia, y luego déjelos secar completamente.
- 6) Vuelva a armar su máscara después de seguir todos los pasos indicados en la sección INSPECCIÓN.

ADVERTENCIA

Nunca permita que los cartuchos o los filtros entren en contacto con el agua o con las soluciones de limpieza y desinfección. La humedad puede dañar los cartuchos o los filtros, y el incumplimiento de estas advertencias resultará en el riesgo de lesiones graves, enfermedad o muerte.

ALMACENAMIENTO

Guarde la unidad en un lugar limpio y seco, y lejos de toda posibilidad de contaminación. Utilice la bolsa de almacenamiento del respirador suministrada con la máscara o cualquier otro contenedor sellable que protegerá la máscara. Las condiciones de almacenamiento óptimas son: una temperatura ambiente entre 10°C (50°F) y 38°C (100°F).

ADVERTENCIA

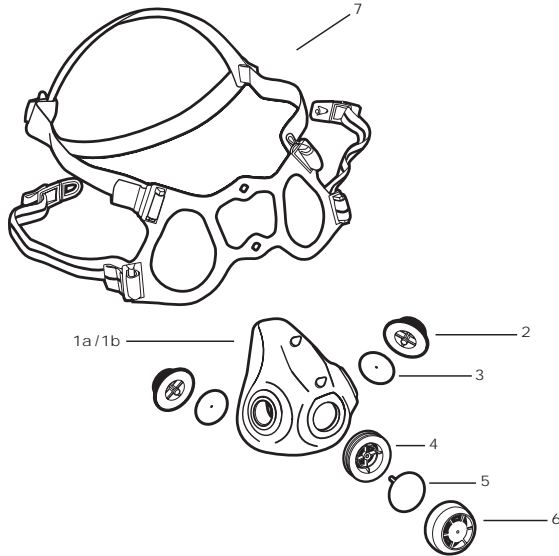
Nunca almacene la máscara con cartuchos o filtros que hayan estado expuestos a contaminantes. Si los cartuchos y/o filtros se van a volver a utilizar, séllelos en una bolsa separada o contenedor separado. No los exponga a la luz directa del sol, contaminantes químicos o polvo.

Los cartuchos que hayan estado expuestos a contaminantes con un bajo punto de ebullición, y todos los filtros NIOSH de clase R que hayan estado expuestos a aerosoles a base de aceite, se deben desechar al final de un turno de trabajo. Cuando deseche máscaras, componentes o cartuchos contaminados, cumpla con las regulaciones locales, estatales y/o nacionales pertinentes al desecho de materiales peligrosos (HazMat) y/u otros artículos contaminados. Consulte a su supervisor y/o a las autoridades apropiadas.

ATENCIÓN

No exponga el respirador durante su almacenamiento a un calor excesivo (más de 60°C [140°F]), ni a humedad o sustancias contaminantes, o apile un peso indebido encima de la máscara o los componentes durante el almacenamiento ya que estas condiciones podrían deformar la máscara, e impedir que se pueda lograr un ajuste correcto la siguiente vez que se use la máscara, o podrían comprometer la funcionalidad del componente.

PARTES DE REPUESTO



Conjunto completo

Para los respiradores aprobados por NIOSH:

550030S, M, L Media máscara elástica,
tamaños pequeño, mediano y grande

770030S, M, L Media máscara de silicona,
tamaños pequeño, mediano y grande

Para los respiradores aprobados por AS/NZS:

550030AS, M, L Media máscara elástica,
tamaños pequeño, mediano y grande

770030AS, M, L Media máscara de silicona,
tamaños pequeño, mediano y grande

Partes de repuesto para los respiradores aprobados por NIOSH y AS/NZS

1a	550011S, M, L	Máscara básica para la unidad 5500, tamaños pequeño, mediano y grande
1b	770011S, M, L	Máscara básica para la unidad 7700, tamaños pequeño, mediano y grande
2	770016	Conector del cartucho
3	770017	Válvula de inhalación
4	770019	Asiento de la válvula de exhalación
5	770018	Válvula de exhalación
6	770020	Protección de la válvula de exhalación
7	770092	Sistema de suspensión de horquilla

COMPONENTES ADICIONALES

No. de Parte Descripción

Soportes de cartucho y filtro

N750035	Adaptador para filtros de bajo perfil, para montar filtros en los cartuchos de gas o vapor
N750036	Conjunto para filtros. Incluye (2) cubiertas N750027 y (2) rejillas redondas tipo telaraña N750038 para montar almohadillas de filtro en los cartuchos de gas y vapor
N750037	Conjunto para filtros. Incluye (2) cubiertas N750027 y (2) soportes de filtro N750015 para montar filtros en la máscara
N750037A	Conjunto para filtros. Incluye (2) cubiertas N750027 y (2) soportes de filtro N750015 para montar filtros en la máscara
BP1002	Adaptador dorsal

GARANTÍA

Honeywell Safety Products le garantiza al dueño original que esta máscara estará libre de defectos en materiales y mano de obra por un período de un (1) año a partir de la fecha de envío original del producto desde la fábrica de Honeywell. La obligación de Honeywell bajo esta garantía será, a la opción de Honeywell, de reparar o reemplazar sin cargo alguno la máscara o cualquiera de sus componentes que Honeywell encuentre estar defectuosos durante el período de garantía, bajo los siguientes términos:

1. El reclamo de garantía lo hace (i) el dueño que compró la máscara de las Series 5500 ó 7700 nueva de Honeywell o de un Distribuidor Autorizado de Honeywell, y (ii) a no más de tres (3) meses después del vencimiento del período de garantía.
2. Honeywell establece que la máscara de las Series 5500 ó 7700 o el componente de la misma estaba defectuoso bajo uso y servicio normales durante el período de garantía de un (1) año a partir de la fecha de compra por el dueño.
3. La máscara de las Series 5500 ó 7700 o el componente de la misma es devuelto con flete pagado a Honeywell, ya sea a su fábrica o a un centro de servicio autorizado por Honeywell, y es luego devuelto al dueño con flete por pagar en destino.
4. Esta garantía no aplica a (i) cualquier máscara de las Series 5500 ó 7700 o componente de la misma que Honeywell determine estar defectuoso debido a cualesquier accidente, alteración, mal uso, abuso, o reparación o mantenimiento con partes no aprobadas por Honeywell; (ii) el deterioro o envejecimiento de cualesquiera de sus componentes hechos de goma u otro elastómero, ya que estos componentes pueden ser afectados adversamente por la excesiva exposición al calor, sol, agua, sustancias químicas, ozono u otros elementos deteriorantes; o (iii) las partes que se malogran por uso normal. La decisión sobre qué constituye uso normal será decidida solamente por HONEYWELL SAFETY PRODUCTS.
5. Para mantener esta garantía, el comprador deberá realizar el mantenimiento y las inspecciones como se indica en este Manual de instrucciones, que deberá incluir el pronto reemplazo o pronta reparación de las partes defectuosas, y el reemplazo de partes según el programa de mantenimiento indicado en este Manual de instrucciones.

EL DUEÑO ASUME TODOS LOS OTROS RIESGOS, SI ALGUNO, TAL COMO EL RIESGO DE CUALQUIER PÉRDIDA O DAÑO DIRECTO, INDIRECTO O CONSECUENTE QUE SURJA COMO CONSECUENCIA DEL USO DEL PRODUCTO, O DE LA INCAPACIDAD PARA USAR EL MISMO. EL USO DE PARTES NO APROBADAS POR HONEYWELL EN LOS MANTENIMIENTOS O REPARACIONES DE LOS RESPIRADORES HONEYWELL ANULARÁ LA GARANTÍA Y LA APROBACIÓN DE NIOSH Y AS/NZS PARA LA UNIDAD DE RESPIRADOR. ESTA GARANTÍA SE EXTIENDE EN LUGAR DE TODA OTRA GARANTÍA EXPRESA O IMPLÍCITA, Y NO PUEDE SER VARIADA O EXTENDIDA EXCEPTO POR ESCRITO POR UN AGENTE AUTORIZADO DE HONEYWELL SAFETY PRODUCTS.